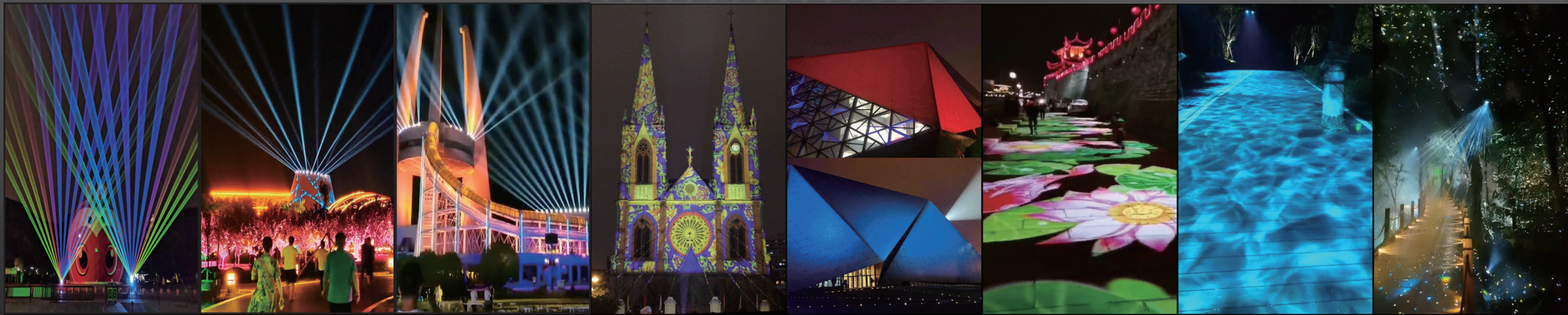


# GBR PROLIGHT PRODUCT CATALOGUE



A dark, atmospheric photograph of a park at night. The scene is dimly lit, with a prominent starburst light effect in the center, suggesting a light source like a fountain or a decorative light fixture. The background shows silhouettes of trees and possibly a path or structure, creating a moody and mysterious atmosphere. The overall color palette is dark, with subtle highlights from the ambient light and the starburst effect.

# **OUTDOOR LIGHTING SERIES**

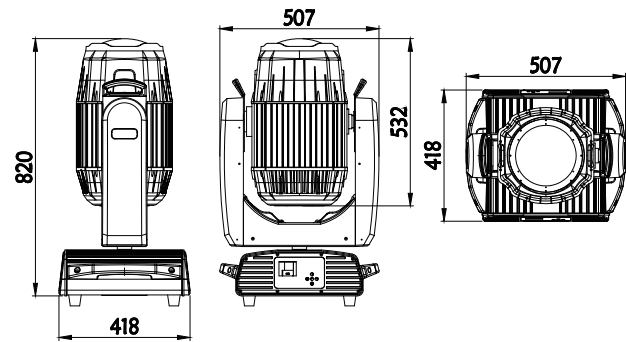


# GBR-FJ260

260W Laser outdoor Moving Head Light

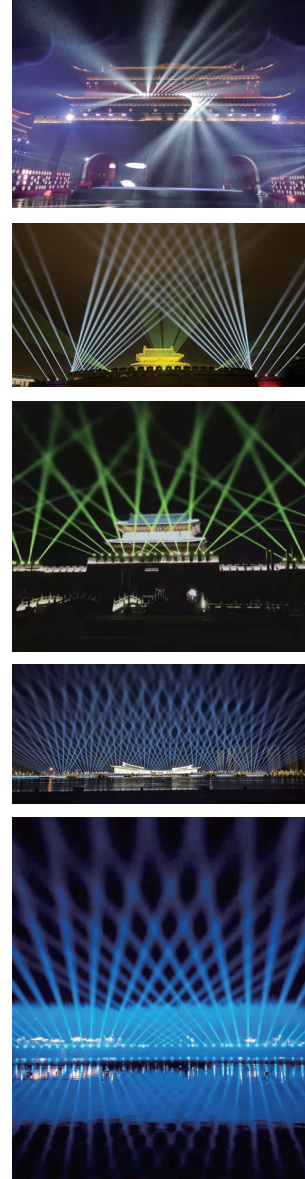


## PRODUCT SIZE/MM



## SPECIFICATION

Input Voltage: AC110–240V, 50/60Hz  
 Light Source: 260W Laser  
 Life Span: 20,000 Hours  
 Power Consumption: 350W  
 Colors: 14 colors + Open  
 Static Gobo: 13 static Gobos + Open  
 Prism: 4-facet Prism with bi-directional rotating at variable speeds ( Dual Prisms optional )  
 Focus: Electronic Linear Focus  
 Frost: 0–100% linear frost  
 Strobe/Dimmer: Double shutter 1–25HZ and Linear Dimmer  
 Movement: 540° pan and 270° tilt movement , 16 bit smooth and precise resolution for PAN/TILT movement  
 Beam Angle: 2° Beam Angle  
 Control Mode: DMX 512, Master/Slave, Work Auto, Sound Activated , Support RDM control  
 DMX Channels: 16 DMX Channels  
 Body Structure: Aluminum Alloy Die-Cast + plastic  
 IP Rate: IP65 waterproof grade design  
 Product Size: 51x42x82cm  
 Packing Size: 66x62x89cm  
 N.W: 45.50kgs  
 G.W: 52.8kgs

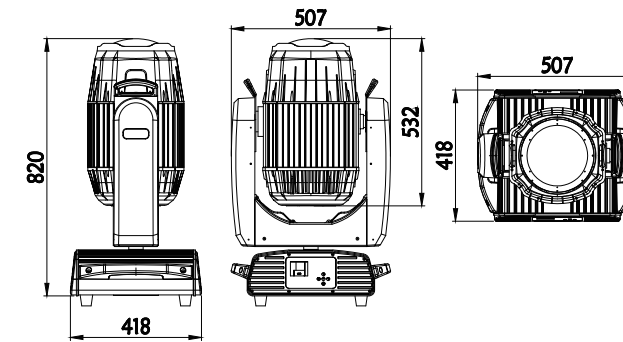


# GBR-FB550

550W Outdoor Beam Moving Head light

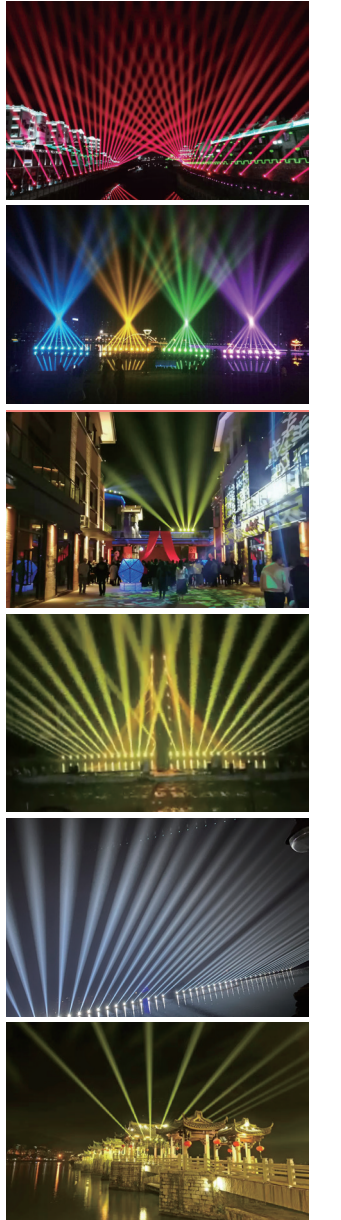


## PRODUCT SIZE/MM



## SPECIFICATION

Input Voltage: AC110–240V, 50/60Hz  
 Light Source: OSRAM 550W  
 Life Span: 1500 Hours  
 Power Consumption: 800W  
 Colors: 14 colors + Open  
 Static Gobo: 13 static Gobos + Open  
 Prism: 8-facet Prism and 16-facet prism with bi-directional rotating at variable speeds  
 Focus: Electronic Linear Focus  
 Frost: 0–100% linear frost  
 Strobe/Dimmer: Double shutter 1–25HZ and Linear Dimmer  
 Movement: 540° pan and 270° tilt movement , 16 bit smooth and precise resolution for PAN/TILT movement  
 Beam Angle: 2° Beam Angle  
 Control Mode: DMX 512, Master/Slave, Work Auto, Sound Activated , Support RDM control  
 DMX Channels: 16 DMX Channels  
 IP Rate: IP65 waterproof grade design  
 Product Size: 51x42x82cm  
 Packing Size: 66x62x89cm  
 N.W: 45.50kgs  
 G.W: 52.8kgs



# GBR-FB420

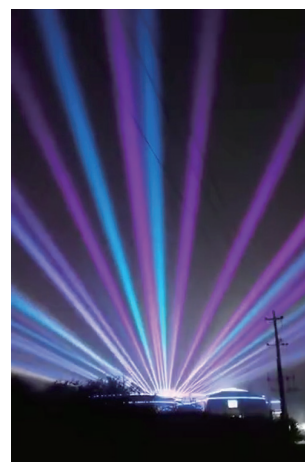
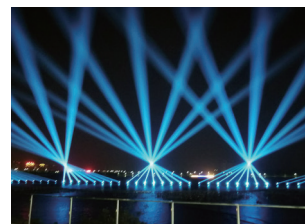
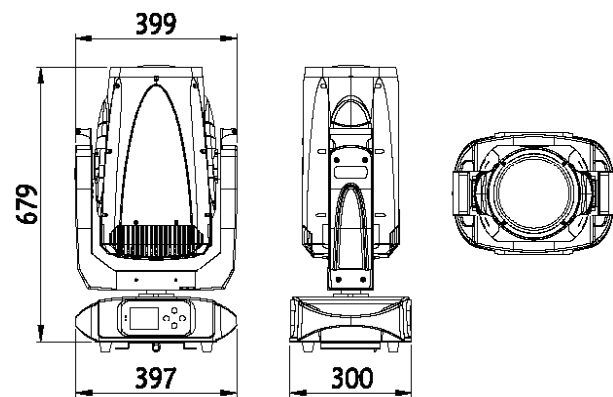
420W Outdoor Beam Moving Head Light



## SPECIFICATION

Input Voltage: AC110-240V, 50/60Hz  
 Light Source: OSRAM 420W ( Ushio 420W Optional )  
 Life Span: 1500 Hours  
 Power Consumption: 600W  
 Colors: 14 colors + Open, continuous scroll at variable speeds  
 Static Gobo: 13 static Gobos + Open; continuous scroll at variable speeds  
 Prism: 8-Facet Prism and 16-facet prism with bi-directional rotating at variable speeds  
 Focus: Electronic Linear Focus  
 Frost: 0-100% linear frost  
 Strobe/Dimmer: Double shutter 1-25HZ and Linear Dimmer  
 Movement: 540° pan and 270° tilt movement, 16 bit smooth and precise resolution for PAN/TILT movement  
 Beam Angle: 2° Beam Angle  
 Control Mode: DMX 512, Master/Slave, Work Auto, Sound Activated, Support RDM control  
 DMX Channels: 16 DMX Channels  
 Body Structure: Aluminum Alloy Die-Cast + plastic  
 IP Rate: IP65 waterproof grade design  
 Product Size: 40x30x68cm  
 N.W: 30.30kgs

## PRODUCT SIZE/MM



# GBR-FG420

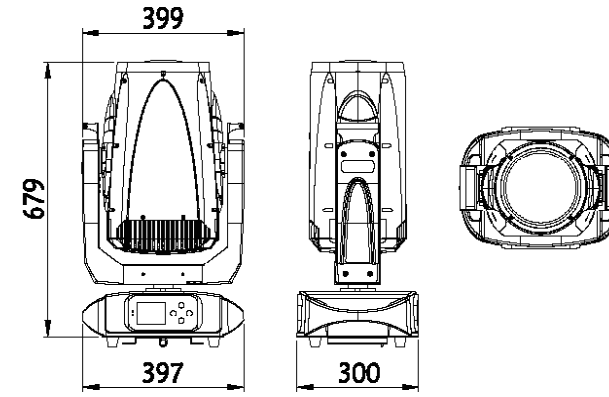
420W IP65 BSW Moving Head Light



## SPECIFICATION

Input Voltage: AC110-240V, 50/60Hz  
 Light Source: OSRAM 420W ( Ushio 420W Optional )  
 Life Span: 1500 Hours  
 Power Consumption: 600W  
 Colors: 14 Colors + Open, continuous scroll at variable speeds  
 Static Gobo: 17 Static Gobos + Open  
 Rotating Gobo: 7 Rotating Gobos + Open; shaking and continuous scroll at variable speeds  
 Prism: 8-facet Prism  
 Focus: Electronic Linear Focus  
 Frost: 0-100% linear frost  
 Strobe/Dimmer: Double shutter 1-25HZ and Linear Dimmer  
 Zoom Angle: 2-45°  
 Movement: 540° pan and 270° tilt movement, 16 bit smooth and precise resolution for PAN/TILT movement  
 Control Mode: DMX 512, Master/Slave, Work Auto, Sound Activated, Support RDM control  
 DMX Channels: 18 DMX Channels  
 Body Structure: Aluminum Alloy Die-Cast + plastic  
 IP Rate: IP65 waterproof grade design  
 Product Size: 40x30x68cm  
 N.W: 31.30kgs

## PRODUCT SIZE/MM





# GBR-FB480

480W Outdoor Beam Moving Head light

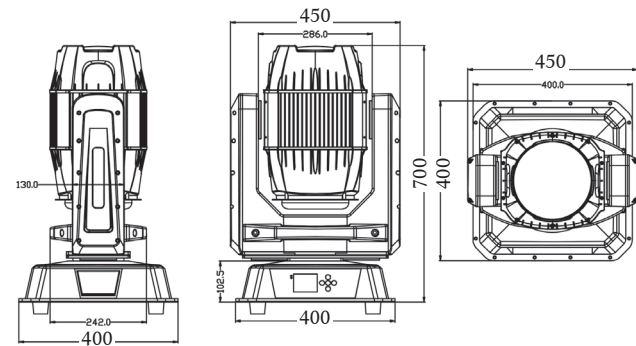


## SPECIFICATION

Input Voltage: AC110-240V, 50/60Hz  
 Light Source: OSRAM 461W  
 Life Span:1500 Hours  
 Power Consumption: 700W  
 Colors:14 colors + Open, continuous scroll at variable speeds  
 Static Gobo: 17 static Gobos + Open; continuous scroll at variable speeds  
 Prism: 8-Facet Prism and 16-facet prism with bi-directional rotating at variable speeds  
 Focus: Electronic Linear Focus  
 Frost: 0-100% linear frost  
 Strobe/Dimmer: Double shutter 1-25HZ and Linear Dimmer  
 Movement: 540° pan and 270° tilt movement , 16 bit smooth and precise resolution for PAN/TILT movement  
 Beam Angle: 2° Beam Angle  
 Control Mode: DMX 512,Master/Slave, Work Auto, Sound Activated ,Support RDM control  
 DMX Channels: 16/20 DMX Channels  
 IP Rate: IP65 waterproof grade design  
 Product Size: 45x40x70cm  
 Packing Size: 54x54x74cm  
 N.W: 29.89kgs  
 G.W: 34.78kgs



## PRODUCT SIZE/MM



# GBR-FB380

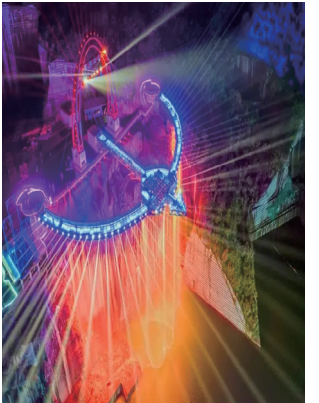
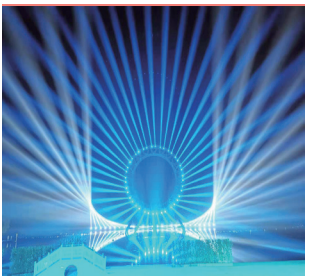
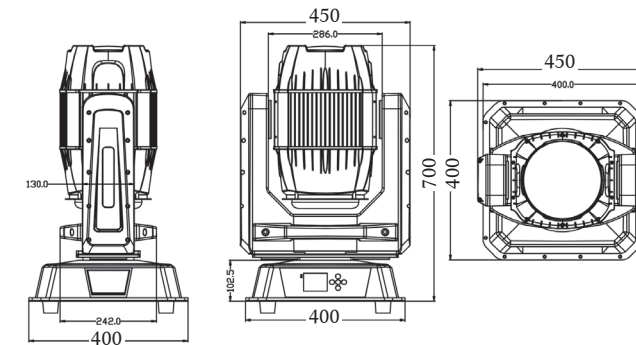
380W Outdoor Beam Moving Head light



## SPECIFICATION

Input Voltage: AC110-240V, 50/60Hz  
 Light Source: OSRAM 371W  
 Life Span:1500 Hours  
 Power Consumption: 600W  
 Colors:14 colors + Open, continuous scroll at variable speeds  
 Static Gobo: 13 static Gobos + Open; continuous scroll at variable speeds  
 Prism: 8-Facet Prism and 16-facet prism with bi-directional rotating at variable speeds  
 Focus: Electronic Linear Focus  
 Frost: 0-100% linear frost  
 Strobe/Dimmer: Double shutter 1-25HZ and Linear Dimmer  
 Movement: 540° pan and 270° tilt movement , 16 bit smooth and precise resolution for PAN/TILT movement  
 Beam Angle: 2° Beam Angle  
 Control Mode: DMX 512,Master/Slave,Work Auto, Sound Activated ,Support RDM control  
 DMX Channels: 16/20 DMX Channels  
 IP Rate: IP65 waterproof grade design  
 Product Size: 45x40x70cm  
 Packing Size: 54x54x74cm  
 N.W: 28.70kgs  
 G.W: 33.80kgs

## PRODUCT SIZE/MM





# GBR-FG380/FG480

Outdoor Zoom Moving Head Light

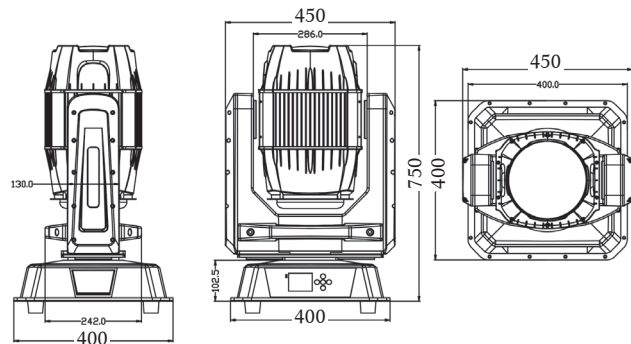


## SPECIFICATION

Input Voltage: AC110-240V, 50/60Hz  
 Light Source: OSRAM 371W / 461W  
 Life Span: 1500 Hours  
 Power Consumption: 600W/700W  
 Colors: 14 Colors + Open, continuous scroll at variable speeds  
 Static Gobo: 17 Static Gobos + Open  
 Rotating Gobo: 7 Rotating Gobos + Open; shaking and continuous scroll at variable speeds  
 Prism: 8-facet Prism  
 Focus: Electronic Linear Focus  
 Frost: 0-100% linear frost  
 Strobe/Dimmer: Double shutter 1-25HZ and Linear Dimmer  
 Zoom Angle: 2-45°  
 Movement: 540° pan and 270° tilt movement, 16 bit smooth and precise resolution for PAN/TILT movement  
 Control Mode: DMX 512, Master/Slave, Work Auto, Sound Activated, Support RDM control  
 DMX Channels: 18 DMX Channels  
 IP Rate: IP65 waterproof grade design  
 Product Size: 45x40x75cm  
 Packing Size: 54x54x74cm  
 N.W: 30.72kgs  
 G.W: 35.60kgs



## PRODUCT SIZE/MM



# GBR-FW1940

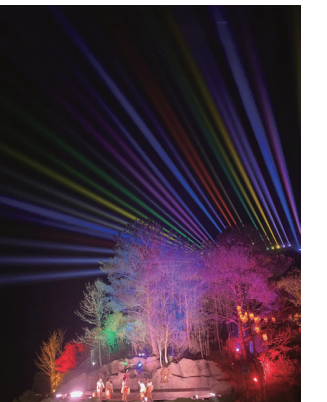
19x40W Outdoor LED B-Eye Zoom Moving Head



## SPECIFICATION

Input Voltage: AC110-240V, 50/60Hz  
 Light Source: 19x40W RGBW 4in1 Osram LED  
 Life Span: 50,000 Hours  
 Power Consumption: 800W  
 Color Temperature: 6500K  
 Color: RGBW Color Mixing  
 Movement: 540° Pan can, 270° Tilt Scan, 16bit Scanning  
 Dimmer: 0-100% Linear Dimmer  
 Strobe: Electronic Strobe  
 Zoom Angle: 8° ~45°  
 Other Functions: Adjustable Pan & Tilt speed, Automatic Error Correction; Compact and unique honeycomb design; Each LED could be controlled individual; Wash, Beam, FX (Kaleido Effects) effect; Digital wash-beam framing effect; Beam edge softening control (in wash mode)  
 DMX Channel: 21/35/78/97/92CH or 21/35CH Mode  
 Control Mode: Auto Run, Sound Activated, Master-slave, DMX512, Support RDM Control  
 IP Rate: IP65  
 Working Temperature: -20°C to 40°C  
 Product Size: 424x314x534mm  
 Packing Size: 560x450x680mm (Carton)  
 Flight case: 830x510x780mm (2pc/Case)  
 N.W: 27.85kgs  
 G.W: 33.90Kgs

## PRODUCT SIZE/MM





# GBR-TL3615

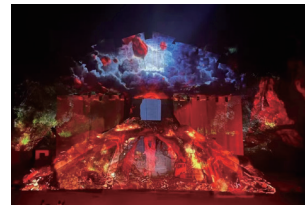
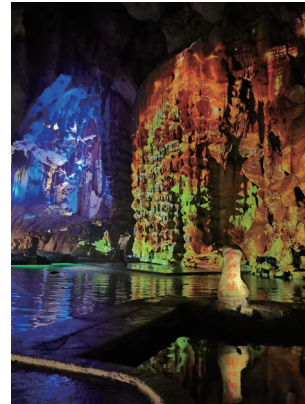
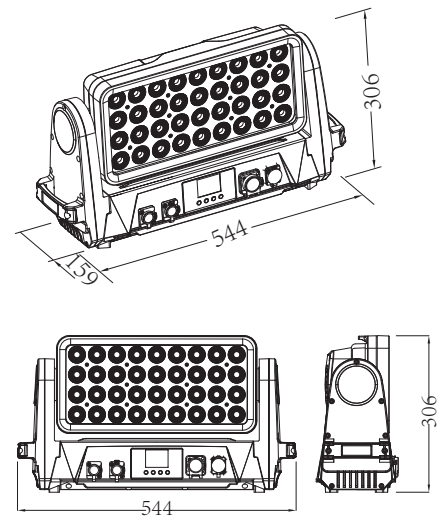
36X15W Outdoor LED Moving Wall Washer light



## SPECIFICATION

Input Voltage: AC110-240V, 50/60Hz  
 Power Consumption: 420W  
 Light Source: 36pcs x 15W RGBW 4in1 LED  
 Color Effect: RGBW Color Mixing  
 Life Span: 50,000 Hours  
 Dimmer: 0-100% Linear Dimmer  
 Strobe: 1-20Hz/Sec Electric Strobe  
 Movement: 180° Tilt Scan  
 DMX Channel: 7/8/9/10CH  
 Working Mode: DMX 512, Master/Slave, Work Auto ,Support RDM Control  
 Working Temperature : -20°C to 40°C  
 Housing: High strength casting aluminum alloy + Plastic  
 Connector: IP65 True 1 Power Connector and IP65 3-Pin XLR DMX signal connector  
 IP Rate: IP65  
 Product Size: 54.4x15.9x30.6cm  
 Packing Size: 61x22x45cm  
 N.W: 10.4kgs  
 G.W: 12.5kgs

## PRODUCT SIZE/MM



# GBR-LSM1000

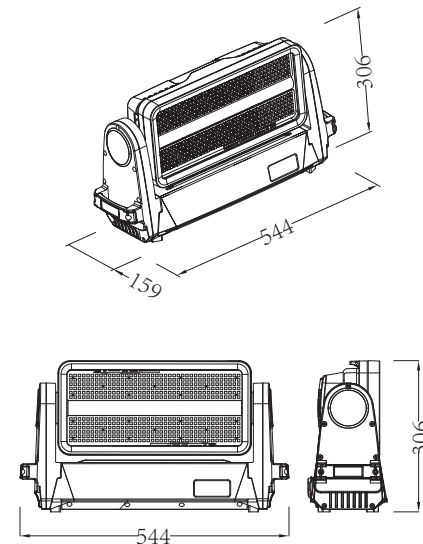
1000W Outdoor LED Moving Strobe light



## SPECIFICATION

Input Voltage: AC110-240V, 50/60Hz  
 Power Consumption: 1000W  
 Light Source: 144pcs White led (strobe) + 480pcs RGB 5050 0.5W RGB 3in1 LEDs (Background)  
 Life Span: 50,000 Hours  
 Effect: Middle white light strobe 4 segment control; Background effects on each side are divided into 4 sections (2x4); Variable Speed Two-way Rainbow Color Flow Effect  
 Dimmer: 0-100% Linear Dimmer  
 Strobe: 0.3-20Hz/Sec Electric Strobe  
 Movement: 180° Tilt Scan  
 Beam Angle: 117°  
 DMX Channel: 7/14/42CH  
 Working Mode: DMX 512, Master/Slave, Work Auto , Support RDM Control  
 Working Temperature : -20°C to 40°C  
 Housing: High strength casting aluminum alloy + Plastic  
 Connector: IP65 True 1 Power Connector and IP65 3-Pin XLR DMX signal connector  
 IP Rate: IP65  
 Product Size: 54.4x15.9x30.6cm  
 Packing Size: 61x22x45cm  
 N.W: 12.2kgs

## PRODUCT SIZE/MM

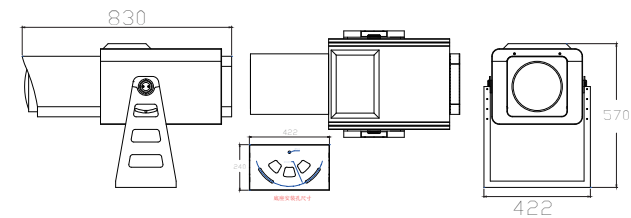


# GBR-LG1200

1200W LED High Power Projector light

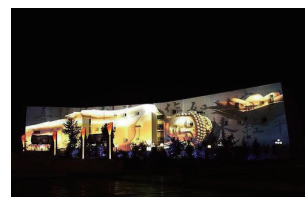


## PRODUCT SIZE/MM



## SPECIFICATION

Input Voltage: AC110-240V, 50/60Hz  
Power Consumption: 1200W  
Light Source: 1000W High Power LED  
Life Span:>20,000 Hours  
Lumen Output:64,000 LM  
Color Temperature: 7000K  
CRI:>93  
Working Mode: International standard DMX512 Protocol  
Beam Angle: 10° ~ 50°  
Color: 1.6 Million Colors  
Projection Distance:20-100M  
Projection Area:50-200  
Picture Quantity:1- 8pcs Gobos Changeable  
Brightness: 0-100% Adjustable  
Continuous working time: <8 Hours  
Projection Stitching: Can be stitched between each other  
IP Rate: IP54  
Working Temperature: -25°C ~ 45°C  
Ambient Humidity: 0% ~ 80%  
Product Size:83x43x57cm  
N.W: 48KGS



# GBR-LG300Z

LED Zoom Gobo Projector Light



## SPECIFICATION

Input Voltage: AC110V-240V, 50/60Hz  
Light Source: 300W White LED (450W Optional)  
Life Span: 20,000 Hours  
CRI: Ra>90  
Power Consumption: 400W (500W Optional)  
Zoom Angle: 11° -44°  
Dimmer: 0-100% linear Dimmer  
Strobe: 0.5-20/s  
Color: 8 Color + White  
Gobo: 7 Rotating Gobos , Can Be 360 degree rotating  
Prism: 3-Facet prism  
Control Mode: DMX512, Work Auto, Master/Slave ,Support RDM protocol and User Program  
DMX Channel: 8CH  
IP Rate: IP65  
Working Temperature :-20°C ~ 50°C  
Product Size: 430x225x640mm  
N.W: 17.5kgs

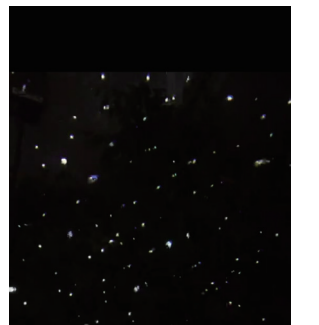
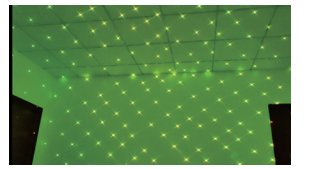
# GBR-YH10/TS20

IP65 Twinkle Star Laser light



## SPECIFICATION

Input Voltage: AC110V-240V, 50/60Hz  
Light Source: Blue to White Special Laser Source  
Life Span: 20000 Hours  
Power Consumption: 20W  
Beam Angle: 60°  
Strobe: 0.5-20/s  
Color: Single Color (Yellow/white optional)  
Work Mode: Work Alone  
Effect: Create star, firefly effect  
IP Rate: IP65  
Product Size: 230x170x250mm  
N.W: 2.4kgs  
G.W: 3.2kgs





# GBR-LG200Z

200W LED Zoom Projector Light



## SPECIFICATION

Input Voltage: AC110V-240V,50/60Hz  
Light Source: 200W White LED (100W/150W Optional)  
Life Span: 20,000 Hours  
CRI:>90  
Power Consumption: 220W  
Zoom Angle: 3-38° Linear Zoom  
Dimmer: 0-100% linear Dimmer  
Strobe: 0.5-20/s  
Color: 5 color + White  
Gobo: 6 rotatable and interchangeable glass gobos , Can Be 360 degree rotating  
Control Mode: DMX512, Sound Activated and Work Auto, Support DMX512, Support RDM protocol and User Program  
DMX Channel: 8 Channels  
IP Rate: IP65  
Working Temperature: -20°C ~ 50°C  
Product Size: 346x190x281mm  
N.W: 8.0kgs

# GBR-LG180/SW180

180W LED Projector / Ripple Effect light



## SPECIFICATION

Input Voltage: AC110V-240V  
Light Source: 80W/180W White LED  
Life Span: 50,000 Hours  
CRI:>90  
Power Consumption: 100W/200W  
Beam Angle: 30° (20° /45° / 60° optional)  
Dimmer: 0-100% linear Dimmer  
Strobe: 0.5-20/s  
Color: 5 color + White  
Gobo: 6 rotatable and interchangeable glass gobos, Can Be 360 degree rotating (GBR-LG180)/ Ripple Pattern optional: Dual Ripple Effect Plates Overly with Bi-directional Rotating , achieve realistic water style effects(GBR-SW180)  
Control Mode: DMX512, Sound Activated and Work Auto, Support RDM protocol and User Program  
IP Rate: IP65  
DMX Channel: 8 DMX Channels  
Working Temperature: -20°C ~ 50°C  
Product Size: 22.9x17.6x19cm  
N.W: 5.8kgs

# GBR-LG200/SW200

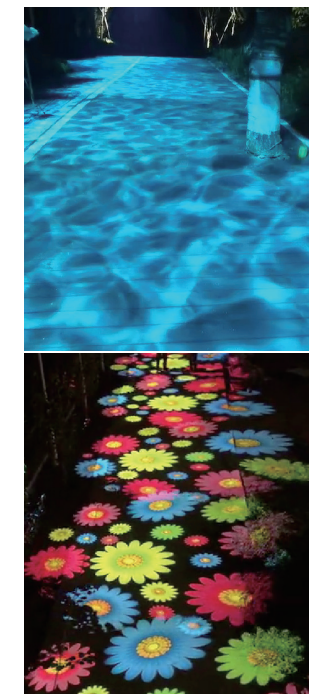
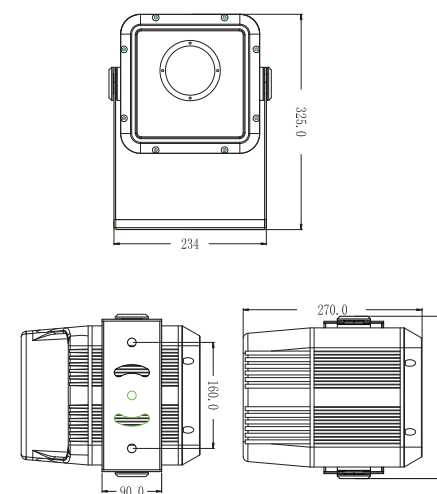
200W LED Gobo Projector/ Ripple Effect Light



## SPECIFICATION

Input Voltage: AC110V-240V  
Light Source: 200W White LED (150W/300W Optional)  
Life Span: 50,000 Hours/ CRI:>90  
Power Consumption: 250W (200W/350W)  
Beam Angle: 30° (20° /45° / 60° optional)  
Dimmer: 0-100% linear Dimmer / Strobe: 0.5-20/s  
Color: 5 color + White  
Gobo: 4 Gobos , Can Be 360 degree rotating (GBR-LG200)/Ripple Pattern optional: Dual Ripple Effect Plates Overly with Bi-directional Rotating , achieve realistic water style effects(GBR-SW200)  
Control Mode: DMX512, Sound Activated and Work Auto  
Support DMX512 / RDM protocol and User Program  
IP Rate: IP65  
DMX Channel: 8 DMX Channels  
Working Temperature: -20°C ~ 50°C  
Product Size: 31x25x33cm  
Packing Size: 48x33x30cm  
N.W: 8.4kgs  
G.W: 10kgs

## PRODUCT SIZE/MM



# GBR-LB400

400W Outdoor LED Blinder Light



## SPECIFICATION

Input Voltage: AC110V-240V, 50/60Hz  
Light Source: 4x100W COB Warm White (Cold White LED,CW/WW 2in1 or RGBW 4in1 COB LED)  
Power Consumption: 400W  
Color Temperature: 3000K-3200K WW/ 5600K CW  
Life Span: > 20,000 Hours  
Dimmer: 0-100% Linear Electronic Dimmer  
Strobe: 0-25HZ Electronic Strobe, Speed Adjustable  
Beam Angle: 60°  
DMX Channel: 9CH  
Control: DMX 512, Work Auto, Master/Slave, Sound  
Working Temperature: -20° C~ 45° C  
IP Rate: IP65  
Product Size: 39.4x39.2x24.5cm  
Packing Size: 44x31x43cm  
N.W: 14kgs  
G.W: 15kgs

# GBR-LB200

2x100W IP65 LED Blinder Light



## SPECIFICATION

Input Voltage: AC110V-240V, 50/60Hz  
Light Source: 2x150W COB WW or CW LED  
Power Consumption: 300W  
Color Temperature: 3200K WW/ 5600K CW  
Life Span: > 20,000 Hours  
Dimmer: 0-100% Linear Electronic Dimmer  
Strobe: 0-25HZ Electronic Strobe, Speed Adjustable  
Beam Angle: 30° (60° optional)  
DMX Channel: 5CH  
Control: DMX 512, Work Auto, Master/Slave, Sound  
Working Temperature: -20° C~ 45° C  
IP Rate: IP65  
Product Size: 36.4x23.2x25.6cm  
N.W: 6.6kgs

# GBR-TL1204

120x10W Outdoor LED City Color Light



## SPECIFICATION

Input Voltage: AC110V-240V,50/60Hz  
Light Source: 120x10W RGBW 4in1 LED  
Life Span: 50,000 Hours  
Power Consumption: 1000W  
Color: RGBW Color Mixing, can adjust independently  
Dimmer: 0-100% Linear Electronic Dimmer  
Strobe: 1-25HZ strobe  
Beam Angle: 25° (15° /45° optional)  
DMX Channel: 4/8/12 DMX Channels  
Control: DMX 512, Work Auto, Master/Slave, Sound  
Other Function: Double layers Waterproof body with TILT angle adjustable, manually individually to light up the large architectures at any angle with any colors by mixing  
Working Temperature :-20° C ~ 50° C  
IP Rate: IP65  
Product Size: 740x380x740mm  
N.W: 33kgs

# GBR-TL4810

48x10W Outdoor LED Wall Washer



## SPECIFICATION

Input Voltage: AC110V-240V, 50/60Hz  
Light Source: 48x10W RGBW 4in1 LED  
Life Span: 50,000 Hours  
Power Consumption: 480W  
Color: RGBW color mixing with macro  
Dimmer: 0-100% electronic linear dimmer  
Strobe: Electric strobe,0.3-20hz/sec  
Beam Angle: 25/45°  
DMX Channel: 4/8 DMX Channel  
Working Mode: DMX512, Run auto, Master/Slave, Sound  
Working Temperature: -10° C-40° C  
IP Rate: IP65  
Tilt: Can adjust the tilt angle from 120°  
Product Size: 64.6x14x35cm  
Packing Size: 75x46x23cm  
N.W: 15Kgs  
G.W: 16.8kgs



# GBR-TL6041

60x10W 4in1 Outdoor LED Wall Washer



## SPECIFICATION

Input Voltage: AC110V-240V, 50/60Hz  
Light Source: 60x10W RGBW 4in1 LED  
Life Span: 50,000 Hours  
Power Consumption: 600W  
Color: RGBW color mixing  
Dimmer: 0-100% electronic linear dimmer  
Strobe: 0-25 HZ Strobe from slow to fast adjustable  
Beam Angle: 25°  
DMX Channel: 4/6/9 DMX Channel  
Control: DMX512, Run auto, Master/Slave, Sound  
Working Temperature: -25° C-50° C  
IP Rate: IP65  
Tilt: Can adjust the tilt angle from 45-145°  
Product Size: 54x15x37cm  
Packing Size: 61x36x31cm  
N.W: 14.80Kgs  
G.W: 16.50kgs

# GBR-TL4020

40x20W IP65 LED Wall Washer Light



## SPECIFICATION

Input Voltage: AC110V-240V  
Light Source: 40x20W RGBW 4in1 LED  
Life Span: 50,000 Hours  
Power Consumption: 800W  
Color: RGBW color mixing  
Dimmer: 0-100% electronic linear dimmer  
Strobe: Electric strobe, 0.3-20hz/sec  
Beam Angle: 25° (5° /15° /45° Optional)  
DMX Channel: 4/6/9 DMX Channel  
Working Mode: DMX512, Run auto, Master/Slave,  
Working Temperature: -20° C-40° C  
IP Rate: IP65  
Tilt: Can adjust the tilt angle from 45-145°  
Product Size: 54x22x31cm  
Packing Size: 64x46x25cm  
N.W: 15.5kgs  
G.W: 17.8kgs

# GBR-TL1810

18x10W Outdoor LED Wall Washer Bar Light



## SPECIFICATION

Input Voltage: AC110V-240V  
LED: 18x10W RGBW 4in1 color LED  
Life Span: 50,000 Hours  
Power Consumption: 180W  
Color: RGBW color Mixing Systems  
Strobe: 0-25 HZ , Speed Adjustable  
Effect: Each LED can be controlled individually, have built in macro function with adjustable speed . Achieve various type color change effect.  
Working Mode: DMX512, Run Auto, Sound Activated, Master/Slave  
DMX Channel: 6/9/11/29/77CH  
IP Rate: IP65  
Product Size: 102x15x17.5cm  
Carton Size: 113x18x22cm  
N.W: 6.8Kgs  
G.W: 7.8kgs

# GBR-PA200Z

200W IP65 LED Zoom Par Light



## SPECIFICATION

Input Voltage: AC110V-240V, 50/60Hz  
Light Source: 200W COB Warm White /White LED  
Power Consumption: 200W  
Color Temperature: 3200 or 5600K  
Life Span: 50,000 Hours  
Dimmer: 0-100% Linear Electronic Dimmer  
Strobe: 0-25HZ Electronic Strobe, Speed Adjustable  
Zoom Angle: 10° -60 °  
Control: DMX 512, Work Auto, Master/Slave, Sound  
DMX Channel: 3CH  
Working Temperature: -20° C ~ 45° C  
IP Rate: IP65  
Product Size: 41x26.4x18cm  
N.W: 7.0kgs

# GBR-TL1515Z

15X15W IP65 LED Zoom Par Light



## SPECIFICATION

Input Voltage: AC110V–240V, 50/60Hz  
Light Source: 15x15W RGBW 4in1 LED  
Life Span: 50,000 Hours  
Power Consumption: 250W  
Color: RGBW Color Mixing, can adjust independently  
Dimmer: 0–100% Linear Electronic Dimmer  
Strobe: 0–25HZ Electronic Strobe, Speed Adjustable  
Zoom Angle: 6° –40°  
DMX Channel: 9 DMX Channels  
Working Mode: DMX 512, Work Auto, Master/Slave  
Working Temperature: –20° C ~ 50° C  
Housing: Die–cast Aluminium Alloy waterproof housing design  
IP Rate: IP65  
Product Size: 33x34x24cm  
N.W: 7.55kgs

# GBR-TL740Z

7x40W IP65 LED Zoom Par Light



## SPECIFICATION

Input Voltage: AC110V–240V, 50/60Hz  
Light Source: 7x40 RGBW 4in1 LED  
Life Span: 50,000 Hours  
Power Consumption: 300W  
Color: RGBW Color Mixing with macro  
Dimmer: 0–100% Linear Electronic Dimmer  
Strobe: 0–25HZ Electronic Strobe, Speed Adjustable  
Zoom Angle: 6° – 40°  
DMX Channel: 5/9 DMX Channels  
Working Mode: DMX 512, Work Auto, Master/Slave  
Working Temperature: –10° C ~ 50° C  
Housing: Die–cast Aluminium Alloy waterproof housing design  
IP Rate: IP65  
Product Size: 36x29x35cm  
Packing Size: 49x30x31cm  
N.W: 10.5kgs  
G.W: 12.5kgs

# GBR-TL1220

12x20W 5in1 Outdoor LED Par Light



## SPECIFICATION

Input Voltage: AC110V–240V, 50/60Hz  
Light Source: 12x20W RGBA+UV 5in1 LED  
Life Span: 50,000 Hours  
Power Consumption: 240W  
Color: RGBA+UV Color Mixing, can adjust independently  
Dimmer: 0–100% Linear Electronic Dimmer  
Strobe: 0–20HZ Electronic Strobe, Speed Adjustable  
Beam Angle: 25° /40°  
DMX Channel: 4/ 8 DMX Channels  
Working Mode: DMX 512, Work Auto, Master/Slave, Sound Activated  
Working Temperature: –20° C ~ 50° C  
IP Rate: IP65  
Product Size: 34x24x20cm  
N.W: 4.8kgs  
G.W: 5.5kgs

# GBR-TL450

4x50W Outdoor LED Par Light



## SPECIFICATION

Input Voltage: AC110V–240V, 50/60Hz  
Light Source: 4x50W CW/WW /RGBW LED  
Life Span: 50,000 Hours  
Power Consumption: 200W  
Color: Warm White, Color white Or RGBW Color Mixing, can adjust independently  
Dimmer: 0–100% Linear Electronic Dimmer  
Strobe: 0–20HZ Electronic Strobe, Speed Adjustable  
Beam Angle: 25° /40°  
DMX Channel:4/ 8 DMX Channels  
Working Mode: DMX 512, Work Auto, Master/Slave, Sound Activated  
Working Temperature: –20° C ~ 50° C  
IP Rate: IP65  
Product Size: 34x24x20cm  
N.W: 4.8kgs  
G.W: 5.5kgs



# GBR-RB2403

IP65 LED Rainbow Effect Light



## SPECIFICATION

Input Voltage: AC110V-240V, 50/60Hz  
Light Source: 24X3W RGB ( R: 8pcs/ G:8pcs/B:8pcs) / 12pcs RGB 3in1 LED  
Life Span: 50,000 Hours  
Power Consumption: 50W  
Color: RGB color mixing  
Dimmer: 0-100% electronic linear dimmer  
Strobe: Electric strobe, 0.3-20hz/sec  
Beam Angle: 60° x 25° / 120° x 25°  
DMX Channel: 3 DMX Channel (4 /6 DMX Optional)  
Working Mode: DMX512 or Work Alone  
Tilt: Can adjust the tilt angle from 45~145°  
Working Temperature: -15° C-35° C  
IP Rate: IP65  
Product Size: 22.6x20.2x15.8 cm  
Packing Size:  
N.W: 3.3Kgs  
G.W: 4kgs

# GBR-STD60

IP65 LED Water Wave Bar Light



## SPECIFICATION

Input Voltage: AC110V-240V, 50/60Hz  
Light Source: Cree LED  
Life Span: 30,000 Hours  
Color Temperature: 5600-6500K  
Color: Blue Color or RGB Color mixing  
Power Consumption: 120W (60W/48W Optional)  
CRI: >90  
Effect: Create realistic water style effects  
Work Mode: Work alone (Single Color ) or DMX512, Master/Slave (RGB Version)  
Beam Angle: 25X50°  
IP Rate: IP65  
DMX Channel: 4 DMX Channels  
Working Temperature: -25° C ~ 45° C  
Product Size: 100x9x17cm  
Packing Size: 110x20x30cm  
N.W: 6 kgs  
G.W: 7 kgs

# GBR-WX512

DMX 512 Outdoor Wireless Amplifier



## SPECIFICATION

Wireless Transmitting Distance: 800M/2000M (Without obstacles Area) ;  
Voltage: AC90-240V, 50Hz/60Hz;  
Transmitting Protocol: Complying with International Standard USITT DMX 512 Protocol (1990 Version);  
Antenna connector: SMA Type Connector;  
Antenna Configuration: 8DB Spiral SMA High Gain Omnidirectional Antenna / 14DB High Gain ; Flat Directional Antenna;  
Amplifier configuration: Built-in 1W signal power amplifier;  
Signal Connect Type: Point to point, point to many;  
Antenna channel: 2.4 to 2.5G frequency band, Built-in 16 adjustable frequency hopping, Data using CRC16 check to effectively avoid interference and errors;  
DMX Connector: Standard 3 Pin XLR 1:GND; 2:D-; 3:D+;  
Product  
Size: 20cm x 18cm x 7.5cm (excluding antennas and connect wire)  
Waterproof: IP65  
Working Temperature: -25° C-45° C  
Suggestion for the outdoor Project  
1. There should be no obstacles between the transmitter and the receiver as much as possible.  
2. the transmitter and receiver installed in the same level as much as possible, this time the strongest wireless signal

# GBR-XH02/XH04

2-Way/4-Way DMX Amplifier



## SPECIFICATION

Input Voltage: AC110V/220V, 50/60Hz  
Power: 4W/8W  
Distance: < 100M  
Transmission speed: 250000b/sx  
Signal Input: 1 Way  
Signal Output: 2Way/4Way  
Connected QTYs: < 32pcs  
work environment: -20° C-40° C  
IP Rate: IP65 waterproof  
Function: Standard DMX 512 protocol;  
Designed to re-transmit and distribute a DMX signal into 2 outputs and one throughput  
The optically isolated circuitry protects your controller from electrical surges while maintaining the integrity of the signal  
Independent Power and Input Indicator light  
Product size: 160x130x60mm/200x180x80mm  
N.W: 0.8kgs/1.2kgs

# INDOOR LIGHTING SERIES

## GBR-QG700

700W LED CMY Profile Moving Head Light



### SPECIFICATION

Input voltage :AC100~240V, 50/60Hz

Input power: 850W

Light source: high power 680W white LED module Optical system.

Color temperature: 6500K

Lifespan: 20.000 hours

light uniformity: 90%

Pan:540° (16bit precision scanning) ,Fine adjust accuracy 0.008°

Tilt :270(16bit precision scanning),Fine adjust accuracy 0.008°

Advanced scanning system is faster, more stable, quiet, with automatic error correction reset function

CMY infinite color mixing+ CTO color temperature linear adjustment

Smooth and sof CMY+CTO color mixing system

1 color wheel, 6 colors + white, can achieve bidirectional rainbow color.

1 rotating gobo wheel :6 gobos + white .Can achieve auto-rotation. Waterwave, shaking effect, gobo can be located

1 fixed gobo wheel, 7 gobos + white, with gobo shaking effect.

Dynamic gobo wheel: flaming effect/ waterwave effect ect.

Dmx Channel :DMX512 34/54 international standard

Control Mode: DMX512 , RDM .Art-net Control and Wireless DMX512 Control (Optional)

Prism wheel: 5 facet prism can be independent reversible and located.

Focus: electronic linear focus

Iris:5%-100% smooth adjustable.

Strobe:maximum frequency can reach 25Hz, electric frequency speed is 1-13 times/second, can choose pulsation, asynchronous, synchronous, random slow, medium, fast mode.

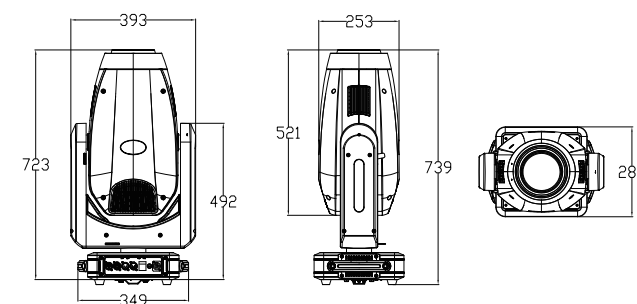
Dimming :0~100% linear dimming

Frost :0~100% linear atomization

Zoom :7° ~42 linear zoom

Cutting wheel: 8 cutting blades composed of controlled light spot cutting Angle system, the whole cutting Angle system can do 90° rotation, through the precise control of the cutting slice. Can create any direction of triangle, wilt, rectangle shape spot

### PRODUCT SIZE/





# GBR-CMY400

400W LED CMY Moving head Light

## SPECIFICATION

Voltage :AC100v-240v/50-60HZ  
Light source specification: 400W  
Life Span: 20000 hours  
Lm: 5 m @95.000lm  
Rated power :430W  
Channel :23ch  
Pan:540 degrees (16 bit precision scanning) electronic error correction  
Tilt:270 degrees (16 bit precision scanning) electronic error correction  
Dimming system :0-100% linear adjustment  
Focusing system: Linear adjustment from 4m-50m  
Frost system :1 independent frost effect, soft spot natural.  
Zoom Angle :4-35 degrees  
Strobe:0-30 times/second.  
Color :8 colors + white  
Color system: Linear CMY+CTO color remix system.  
Fixed gobo :11 Fixed gobo + white  
Rotation gobo :7 glass gobo + white light, each glass pattern can be independent reversible.  
Prism system: 8 facet prism + 6 Linear prism, each prism can be independent reversible.  
Macro functions: console reset function, auto running mode, master/slave mode  
Display mode: LCD display, button + touch dual operation mode  
Control signal: international standard DMX512,with RDM function, you can upgrade software online and set address code.  
Cooling mode: cooling fan  
Safety device: equipped with electronic temperature control overheating protection, when the overheating system fails, electronic temperature control automatic power off protection  
Body material: high temperature resistant plastic  
Working environment :-20 degrees -40 degrees  
IP rate : IP20 Net weight :23KG  
Product size :38.2x27x67cm(LxWxH)



# GBR-GB380

380 Beam Spot Wash 3in1 Moving Head Light

## SPECIFICATION

Input Voltage: AC110-240V, 50/60Hz  
Light Source: OSRAM SIRIUS HRI 371W  
Life Span: 1500 Hours  
Power Consumption: 500W  
Movement: 540° pan and 270° tilt movement, 16 bit smooth adjustment  
Color : 8 Colors + CTO + Open , continuous scroll at variable speeds  
CTO: Color Temperature adjust linearly  
Static Gobo: 12 static Gobos + Open  
Rotating Gobo 1: 7 Rotating Gobos+ Open  
Rotating Gobo 2: 2 Rotating Gobos + 1 Animation Gobo  
Prism: 8-facet prism and 16-facet prism  
Dimmer: 0-100% Linear Dimmer  
Strobe: 1-25Hz Strobe  
Focus: Electronic Linear Focus  
Frost: 0-100% linear frost  
Zoom Angle: 5° -40°  
Control Mode: DMX 512,Master/Slave, Work Auto, Sound  
DMX Channels: 22 DMX Channel  
IP Rate: IP20  
Product Size: 38.5x27x61.5cm  
Packing Size: 64x53x51cm  
N.W: 21kgs  
G.W: 24.5kgs



# GBR-B380

380 Moving Head Beam Light

## SPECIFICATION

Input Voltage:AC110-240V, 50/60Hz  
Light Source: OSRAM SIRIUS HRI 371W  
Life Span:1500 Hours  
Power Consumption: 500W  
Colors: 14 colors + Open, Variable direction running, speed adjustable  
Rainbow Color: Independent Rainbow Color Film  
Static Gobo:13 static Gobos + Open, Variable direction running, Shaking effect available  
Prism: 8-facet prism and 16-facet prism  
Focus: Electronic Linear Focus  
Frost: 0-100% linear frost  
Strobe/Dimmer: Double shutter 1-25HZ and Linear Dimmer  
Movement :540° pan and 270° tilt movement 16 bit smooth adjustment  
Beam Angle: 2° Beam Angle  
Control Mode: DMX 512,Master/Slave,Work Auto, Sound Activated  
DMX Channels: 16/20 DMX Channels  
Material: High temperature Engineering plastic and metal housing  
IP Rate: IP20  
Product Size:39x26x61cm  
N.W.:20kgs



# GBR-B311

311W Moving Head Beam Light

## SPECIFICATION

Input Voltage:AC110-240V, 50/60Hz  
Light Source: OSRAM SIRIUS HRI 311W  
Power Consumption: 450W  
Life Span:1500 Hours  
Colors: 13 colors + Open color wheel  
Static Gobo:13 static Gobos + Open  
Prism: 8-facet prism and 16-facet prism  
Focus: Electronic Linear Focus  
Frost: 0-100% linear frost  
Strobe/Dimmer: Double shutter 1-25HZ and Linear Dimmer  
Movement :540° pan and 270° tilt movement 16 bit smooth adjustment  
Beam Angle: 2° Beam Angle  
Control Mode: DMX 512,Master/Slave,Work Auto, Sound Activated  
DMX Channels: 16 DMX Channels  
Other Function: High precision Optics Glass lens ,Pan And Tilt Moving Speed adjustment, Scan position memory, auto X/Y reposition Correction, Fixture and Lamp working time on display for easy maintenance  
Material: High temperature Engineering plastic and metal housing  
IP Rate: IP20  
Product Size:36x27x58cm  
Packing Size: 50x47x71.5cm  
N.W.:17kgs  
G.W: 21.5kgs



# GBR-B260

260w Moving Head Beam Light



## SPECIFICATION

Input Voltage: AC110-240V, 50/60Hz  
Light Source: 260W Lamp  
Power Consumption: 300W  
Life Span: 1500 Hours  
Colors: 13 colors + Open color wheel  
Rainbow Color: Independent Rainbow Color Film  
Static Gobo: 13 static Gobos + Open, Variable direction running, Shaking effect available  
Prism: 8-facet prism and 16-facet prism  
Focus: Electronic Linear Focus  
Frost: 0-100% linear frost  
Strobe/Dimmer: Double shutter 1-25HZ and Linear Dimmer  
Movement: 540° pan and 270° tilt movement 16 bit smooth adjustment  
Beam Angle: 0-2.3° Beam Angle  
Control Mode: DMX 512, Master/Slave, Work Auto, Sound  
DMX Channels: 16 DMX Channels  
IP Rate: IP20  
Product Size: 33x26x49cm  
Packing Size: 43x42x54cm  
N.W: 13.5kgs  
G.W: 16.5kgs

# GBR-B230M

Mini 230W Beam Moving Head Light



## SPECIFICATION

Input Voltage: AC110-240V, 50/60Hz  
Light Source: 230W Lamp  
Power Consumption: 250W  
Life Span: 2000 Hours  
Colors: 14 colors + Open color wheel  
Rainbow Color: Independent Rainbow Color Film  
Static Gobo: 17 static Gobos + Open, Variable direction running  
Prism: 8+16 honeycomb prism  
Focus: Electronic Linear Focus  
Frost: 0-100% linear frost  
Strobe/Dimmer: Double shutter 1-25HZ and Linear Dimmer  
Movement: 540° pan and 270° tilt movement 16 bit smooth adjustment  
Beam Angle: 0-3.2° Beam Angle  
Control Mode: DMX 512, Master/Slave, Work Auto, Sound Activated  
DMX Channels: 16 DMX Channels  
IP Rate: IP20  
Product Size: 28.6x23.4x46cm  
Packing Size: 51x36x38cm  
N.W: 10.8kgs  
G.W: 12.0kgs

# GBR-GL250

250W 3IN1 BSW LED Moving Head Light



## SPECIFICATION

Input Voltage: AC110-240V, 50/60Hz  
Power Consumption: 300W  
Light Source: 250W White LED  
Life Span: 50,000 Hours  
Color : 9 colors + Open color wheel  
Static Gobo: 9 static Gobos + Open  
Rotating Gobo: 7 Glass Gobos + Open  
Prism: 3-facet prism  
Focus: Electronic Linear Focus  
Frost: 0-100% electronic frost  
Strobe: 1-25Hz strobe speed adjustable  
Dimmer: 0-100% Linear Dimmer  
Movement: 540° pan and 270° tilt movement 16 bit smooth adjustment  
Zoom Angle: 9-30° Beam Angle  
Control Mode: DMX 512, Master/Slave, Work Auto, Sound Activated  
DMX Channels: 17 DMX Channels  
IP Rate: IP20  
Product Size: 30x20.5x54cm  
N.W: 13kgs  
G.W: 14.5kgs

# GBR-BL200

200W LED Beam Moving Head Light



## SPECIFICATION

Input Voltage: AC110-240V, 50/60Hz  
Light Source: 200W White LED  
Power Consumption: 350W  
Life Span: 50,000 Hours  
Color 1: 14 colors + Open color wheel  
Static Gobo: 13 static Gobos + Open  
Prism: 8-Facet Prism + 16 Facet Prism, Variable direction scrolling  
Focus: Electronic Linear Focus  
Frost: 0-100% electronic frost  
Strobe: 1-25Hz strobe speed adjustable  
Dimmer: 0-100% Linear Dimmer  
Movement: 540° pan and 270° tilt movement 16 bit smooth adjustment  
Beam Angle: 5°  
Control Mode: DMX 512, Master/Slave, Work Auto, Sound  
DMX Channels: 16 DMX Channels  
IP Rate: IP20  
Product Size: 36x27x58cm  
Packing Size: 50x47x71.5cm  
N.W: 17kgs  
G.W: 21.5kgs



# GBR-BE1940

19X40W LED B-EYE Zoom Moving Head

## SPECIFICATION

Light source :19pcs40W RGBW4in1Led  
Lifespan :50000 hours  
Ppower :640w  
Input voltage :100V-240V, 50/60Hz  
Angle, 3.5° -50°  
Control mode, DMX512/ auto running/voice control/manual /RDM DMX512  
Channel, 21/23/35/78/92/97/99ch  
IP rate :IP20  
Display:1.8 "TFT color LCD screen, 180 degrees rotatable, Chinese and English can be switched  
Power socket :PowerCon input + output  
Signal input/output :3 core +5 core card  
Material :ABS high temperature resistant engineering plastic  
Pan scanning:540° (16bit precision scanning)  
Tilt scanning:270° (16bit precision scanning)  
X&Y fixed lock, integrated clamp/ hanger bracket optional  
Hand in hand connection amount : 220V.: maximum 4 sets, cable use 2.5 square  
120V: maximum 2 sets, 2.5 square meters of wire should be used  
Product size :376\*280\*420.5mm NW :14.5kg  
Carton package :535\*390\*495mm GW :17.5kg  
Flightcase package :970\*460640mm(2in1) GW :61kg  
Effect: Each LED can be controlled separately, fantasy bee dazzling effect with focusing, dyeing, light beam, image, effect mode, overheating protection, efficient cooling system, fan can detect lamp head temperature and automatic speed regulation.



# GBR-BE1940R

19X40W LED B-EYE With LED Ring Effect

## SPECIFICATION

Input Voltage: AC110-240V, 50/60Hz  
Light Source: 19pcs 40W RGBW 4in1 color LED  
+74pcs 5050RGB LED  
Power Consumption: 800W  
Life Span: 50,000 Hours  
Color/CTO: RGBW Color Mixing/ 2500-8000K  
Zoom Angle: 4-60°  
Movement: Pan 540° , Tilt 250°  
LENS: Unique Design for front Lens Bi-directional Endless Rotation  
Dimmer: 0-100% Dimmer  
Strobe: 0-25HZ Strobe  
DMX Channel: 24/26/38/81/95/100/102CH  
Control: DMX 512 , Master/Slave, Auto, Sound Activated  
Other Functions: Adjustable Pan & Tilt speed, Automatic Error Correction;  
Compact and unique honeycomb design; Each LED could be controlled individual; Wash, Beam , FX (Kaleido Effects) effect; Digital wash-beam framing effect; Beam edge softening control (in wash mode)  
Product Size: 41.5x27.5x42.5cm N.W: 18kgs  
Packing Size: 58x55x38cm G.W: 20kgs



# GBR-BE1941

19x15W LED B-EYE Moving Head

## SPECIFICATION

Input Voltage: AC110-240V, 50/60Hz  
Light Source: 19pcs 15W RGBW 4in1 color LED  
Power Consumption: 350W  
Life Span: 50,000 Hours  
Color/CTO: RGBW Color Mixing/ 2500-8000K  
Zoom Angle: 4-60°  
Movement: Pan 540° , Tilt 270° , Smooth, fast and precise PAN/TILT movement  
LENS: Unique Design for front Lens Bi-directional Endless Rotation  
Dimmer: 0-100% Dimmer  
Strobe: 0-25HZ Strobe  
DMX Channel: 21/23/35/78/92/97CH  
Control: DMX 512 , Master/Slave, Auto, Sound Activated  
Other Functions: Adjustable Pan & Tilt speed, Automatic Error Correction; Compact and unique honeycomb design; Each LED could be controlled individual; Wash, Beam , FX (Kaleido Effects) effect; Digital wash-beam framing effect; Beam edge softening control (in wash mode)  
Product Size: 40x26x49cm N.W: 16Kgs  
Packing Size: 48x35x51cm G.W: 19kgs



# GBR-BL1940

19X40W LED Zoom Moving Head Light

## SPECIFICATION

Led:19pcs 402 RGBW 4IN1 LED  
Lifespan: 50000 hours  
Voltage :AC100V-240V, 50/60HZ  
Power :630W  
Electronic zoom Angle :35° -50° , glass light guide stick +PMMA high-quality optical lens  
Control Mode :DMX512, Auto running, master-slave, voice control, manual, RDM  
Channel :19ch/27ch IP rate :IP20  
Display :1.8 "TFT LCD screen, 180 degrees rotatable, Chinese and English can switch  
Signal input/output:3pin+5pin power socket  
Power Connection: powercon input/output  
Body materiall :ABS high temperature resistant engineering plastic  
Working temperature, -10°C ~45°C  
Pan :540° accuracy 211° / step, fine tuning accuracy :0.008°  
Tilt:270° accuracy 0.86° / step, fine tuning accuracy, 0.0034°  
Photoelectric reset system, can accurately and automatically correct X axis /Y axis position  
X&Y fixed lock, integrated clamp/ hanger bracket optional  
Hand in hand connection amount : 220V.: maximum 4 sets, cable use 2.5 square  
120V: maximum 2 sets, 2.5 square meters of wire should be used  
NW :14.5kg  
Product sizes :37.6x28x42cm  
Carton size :53.5x39x49.5cm GW :17.5kgs  
Flight case package size :97x46x64cm GW : 61kgs;



# GBR-BE641L

6x12W LED Mini B-EYE with Laser Dot

## SPECIFICATION

Input Voltage: AC110V-240V, 50/60Hz  
Light Source: 6x12W RGBW 4in1 LED  
+ 60mW green laser  
Power Consumption: 80W  
Life Span: 50,000 Hours  
DMX Channel: 16CH  
Dimming: 0-100% Linear Dimming  
Strobe: electronic adjustment strobe up to 25Hz  
Effect: Each LED controlled individually, Laser Dot create Star effects  
Movement: 540° Pan Move, 180° Tilt Move  
Beam Angle: 1.5°  
Control: DMX512, Auto Run, Sound, Master / Slave  
Housing: Metal and Plastic  
IP rate: IP20  
Product Size: 22.6x26.8x15.5cm  
Packing Size : 58x35x56cm (4pc/CTN)  
N.W: 3.8kgs  
G.W: 4.6kgs



# GBR-WL740

7X40W LED Zoom Wash Moving Head Light

## SPECIFICATION

Input Voltage: AC110-240V, 50/60Hz  
Light Source: 7pcs 40W RGBW 4in1 color LED  
Power Consumption: 300W  
Life Span: 50,000 Hours  
Color Range: RGBW Color Mixing  
Zoom Angle: 4.5° - 36°  
Movement: Pan 540° , Tilt 250° , Smooth, fast and precise PAN/TILT movement  
DMX Chanel: 12/ 17 DMX Channel  
Working Mode: DMX512 Control, Work Auto, Master/Slave, Sound Activated  
Housing: Flame-retardant engineering plastic shell, Force Fan Cooling Systems  
Working Temperature: -25° C-50° C  
Product Size: 30x23x41cm  
Packing Size: 36x30x51cm  
N.W: 9.0 kgs  
G.W: 11.5kgs



# GBR-BLD560Z

5X60W Dual Faces LED Zoom Beam+ Strobe Light

## SPECIFICATION

Input Voltage: AC110V-240V, 50/60Hz  
Light Source: 5x60W 4in1 LED + 96pcs 7070 SMD + 72pcs 5050 SMD LED  
Power Consumption: 500W  
Life Span: 50,000 Hours  
Dimming: 0-100% Linear Dimming  
Strobe: Electronic adjustment strobe up to 25Hz  
Effect: Led pixels effects, Perfect LED beam and saturate wash effect;  
Sophisticated RGB mixing and strobe effect; Preset dynamic patterns with variable speed; Preset Macro patterns for easy operation  
Movement: Continuous 360° Pan & Tilt Movement  
Zoom Angle: 4-45°  
Working Mode: DMX512, Auto Run, Sound ,Master Slave  
DMX Channel: 33/53/69/105CH  
IP rate: IP20  
Product Size: 53 × 18x38cm  
Packing Size: 60x27x46cm  
N.W: 11.80kgs  
G.W: 14.00kgs



# GBR-BLD640

6X40W Dual Faces LED Beam+ Strobe Light

## SPECIFICATION

Input Voltage: AC110V-240V, 50/60Hz  
Light Source: 6x40W RGBW 4in1 LED + 96x0.3W SMD LED  
Power Consumption: 450W  
Life Span: 50,000 Hours  
Dimming: 0-100% Linear Dimming  
Strobe: Electronic adjustment strobe up to 25Hz  
Effect: Led pixels effects, Perfect LED beam and saturate wash effect;  
Sophisticated RGB mixing and strobe effect, Preset dynamic patterns with variable speed; Preset, Macro patterns for easy operation  
Movement: Continuous 360° Pan & Tilt Movement  
Beam Angle: 2°  
Working Mode: DMX512, Auto Run, Sound ,Master Slave  
DMX Channel: 24/132CH  
IP rate: IP20  
Product Size: 64x32x25cm  
Packing Size: 66x39x33cm  
N.W: 11.80kgs  
G.W: 14.25kgs





# GBR-EL200Z

200W Zoom LED Profile Light



## SPECIFICATION

voltage: AC100–240V, 50–60Hz  
Power: 200W/300W  
LED: 200W COB/300W COB optional  
Color temperature: 3200K/5600K Optional  
CRI: 90  
Lifespan: 50000h  
Dimming :0–255, 0%–100% linear dimming  
Focus: Manual focus  
Optical material: acrylic lens + aspherical lens  
Angle: 15° –40°  
Functional effect: astigmatism, spotlight, soft light  
IP rate :IP20  
Control mode: DMX512, self – walking, master – slave  
Channels :2 DMX channels  
Application:professional shooting for TV stations, studios, conference rooms, theater, church wedding, restaurant, banquet dance club ect.  
N.W:11.3–13KG  
G.W :13.2–15KG  
Product size: 30.3x24.3x76.5cm  
Package size: 30.5x35.5x82.5cm(carton)

# GBR-EL300

300W LED Profile Light



## SPECIFICATION

Voltage: AC100–240V, 50/60Hz  
Power: 300W  
Led Source :300W high brightness LED  
Temperature :3200K/5600K optional, 2 in 1, RGBW  
Life span: 50000h  
Dimming: 0%–100% linear dimming  
Optical materials: optical lenses  
Lens: 19° ,26 ° 36° optional  
IP rate: IP20  
Control mode: Standard DMX512 signal, self – walking, master – slave  
Channels: 2ch(single color)/ 4(2in1)/ 9ch(RGBW)  
Product size: 64x 34x27cm  
NW :8.6kg

# GBR-PL300

300W LED Fresnel Zoom Light



## SPECIFICATION

Voltage :AC100–240V, 50/60Hz  
Rated power :300W  
Light source :300W high brightness LED  
Color temperature :3200K/5600K optional,2 in 1, RGBW  
Life span :50000h  
Dimming :0%–100% linear dimming  
Angle :15 "–50° Manual focus  
IP rater :IP20  
Control mode: Standard DMX512 signal, self – walking, master – slave  
Channels :2ch/4ch/9ch  
Product Size :45.5x29x22cm  
Net weight :7.1kg

# GBR-WL300

Three primary audio light



## SPECIFICATION

Voltage::AC110–240V,50–60HZ  
Power :300W  
Temperature :3200K/5600K/2in1 optional  
CRI:90  
Control mode: DMX512/DMX  
Channels: 2CH  
Light :0–100% linear dimming smooth without flicker  
Working Temperature :–25C–45  
Product Size: 660mm x347mm x 131mm NW :9.8KG

# GBR-CB3603

36x3W LED Curtain Bar Light



## SPECIFICATION

Input Voltage: AC110V-240V, 50/60Hz  
Light Source: 36x3W RGB 3in1 3535 LED  
Power Consumption: 100W  
Life Span: 50,000 Hours  
DMX Channel: 5/36 CH  
Dimming: 0-100% Linear Dimming  
Strobe: 1-20 flashes per second  
Refresh Rate: Flicker free 10 KHZ Frequency  
Beam Angle: Super-sharp 5° Beam  
Control: DMX512, Auto Run, Sound, Master Slave  
Housing: Metal and Plastic  
IP rate: IP20  
Product Size: 100x5x13cm  
Packing Size: 103x8x14cm(1pc)/106x39x33cm(8pc/CTN)  
N.W: 2.3kgs  
G.W: 2.8kgs (1pc)/23.8kgs (8pcs/CTN)

# GBR-BL1040

10x40W LED Beam Mopving Head Bar Light



## SPECIFICATION

Input Voltage: AC110V-240V, 50/60Hz  
Light Source: 10x40W RGBW 4in1 LED  
Power Consumption: 500W  
Life Span: 50,000 Hours  
Movement: 230° Tilt Scan; Automatic Return to Original Position Function.  
Dimming: 0-100% Linear Dimming  
Strobe: 1-30Hz Strobe or random strobe  
Feature: Y Movement + Beam + Strobe  
Beam Angle: 8°  
Working Mode: DMX512, Auto Run, Sound, Master Slave  
DMX Channel: 14/50CH  
Housing: Metal and Plastic  
IP rate: IP20  
Product Size: 110x9x23cm  
N.W: 13.6kgs

# GBR-BL1240

12x40W LED Pixel Zoom Blade Light



## SPECIFICATION

Voltage: AC100-240V50/60HZ  
Lamp: 12x40W RGBW 4in1 LED  
Power Consumption: 420W  
Color: RGBW Color Mixing  
Control Mode: DMX512, master/slave, sound control, support RDM function.  
Channel: 16/60 Channels  
Beam Angle: 4-50°  
Dimming: 32bit 0-100% linear dimming  
Features: Y shaking head + beam + flash + double Focus  
Working temperature: -30°C -50°C  
Strobefrequency: 1-30HZ  
Housing: Metal, Black  
Connection method: DMX512 input and output/ power input and output.  
IP rating: IP20  
Product Size: 102x10.75x26.6CM  
Packing Size: 108x19x37CM (Carton)/119x58x49cm (4in1)  
N.W: 15kgs  
G.W: 18kgs/97.5kgs (4pc/case)

# GBR-BL640

6x40W LED Zoom Blade Moving Head



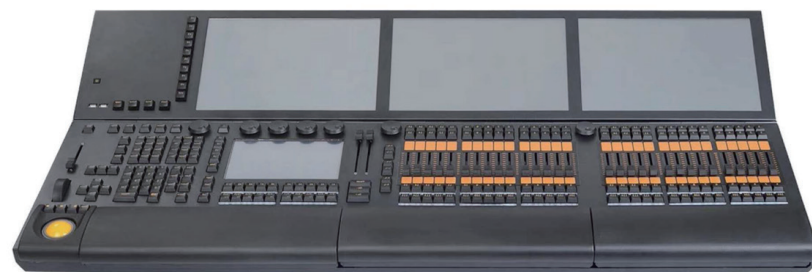
## SPECIFICATION

Voltage: AC100-240V50/60HZ  
Lamp: 6x40W RGBW 4in1 LED  
Power Consumption: 240W  
Color: RGBW Color Mixing  
Control mode: DMX512, master/slave, sound control, support RDM function.  
Channel: 16/36 Channels  
Beam Angle: 4-50°  
Dimming: 32bit 0-100% linear dimming  
Features: Y shaking head + beam + flash + double focus  
Working Temperature: -20°C -50°C  
Strobefrequency: 1-30HZ  
Housing: Metal, Black  
Connection method: DMX512 input and output power input and output.  
IP rating: IP20  
Product Size: 51x11x30cm  
Packing Size: 59x19x38cm  
N.W: 8.2kgs  
G.W: 10.0kgs



# GBR-MA3

Ma Console



## SPECIFICATION

1. Linux operating system,
2. Built-in 3 electric lifting 15.4 "industrial full view touch screen, 1 9" touch screen
3. industrial grade motherboard powerful i5CPU, 4G memory, built-in solid state drive
4. built-in 1 18w fast charge mobile phone charging dedicated USB port
5. The built-in high-power UPS supports 6 DMX output outlets and 1 composite DMX input port (which can be set as output) 6. when connected to NPU. Up to 65536 channels can be supported when connected to NPU
7. 30 electric replay push rods with induction function (60mm), 80 executive program keys
8. 1 total control push rod, 1 dimming wheel
9. 1 controllable XY axis high-precision original imported trackball 2 A/B field electric Pusher (100mm)
10. 7 imported industrial grade wear-resistant encoders (with Push function)
11. 2 dry megabit network ports, support MANET ARTNET signal 5 USB ports, 1 backup USB access
12. 2 work light ports, 2 DVI ports, expandable 2 display
13. MIDI input/output ports
14. Built-in 2 drawers, built-in yellow backlit mechanical keyboard (backlight brightness adjustable) wide voltage industrial power supply 100V-240V50/60Hz support RDM function
15. Product NW :90KG
16. Package size :137cm\*32cm\*85cm.

# GBR-LH100

Tiger Touch Console



## SPECIFICATION

1. The Titan with 9.1 10.1 113 these 3 control system.
2. Core i5CPU, Kingston 120GB SSD and 4GB RAM;
3. The machine itself with 16 DMX outlet 8192 channels, 1 LTC time code trigger port.
4. Built-in 1 15.6 "high resolution touch screen (industrial screen),
5. Compete to support networking to computer devices control a variety of lighting 3D visualization software:
6. If the built-in UPS power supply is used, the system can operate normally for one hour without 220V AC power
7. For the built-in independent with isolation of the HIF level sound card, to solve the motherboard integrated sound card sound quality is poor without isolation of alternating sound interference.
8. Contention support Chinese menu display, built-in multi-language
9. Contention supports Art-Net network function, which can be extended to 64 DMX output lines
10. Compete for 10 macro function buttons, allowing you to operate the console faster:
11. Compete for 20 replay putter, support 1000 + program replay:
12. Compete for powerful attribute control window, CMYNRGB Color palette system:
13. For quick and easy to use graphics generator, classification of built-in graphics easier to use;
14. Contention support CIPT protocol, you can directly see the media server in the media fragment image thumbnail;
15. Support Wi-Fi access, wireless lamp control, remote control of mobile devices (iPhone, iPad Touch) :
16. Contention for the built-in several dry kinds of light library, built-in light library editing software, you can at any time on the console light library:
17. Compete for built-in Visualiser line lighting visualization software, want to pre-programming? No problem!
18. Contention supports MIDI time code sound and light synchronization function, can also play music in the console to send time code to control the light program replay.
19. Product NW: 14KG, GW: 30KG
- 20 :Product size:68 x43x 15cm
21. Flightcase Package :78x53x32cm

# GBR-TQ102

Mini Tiger Touch Console



## SPECIFICATION

1. 14.1 "screen, 9.1 10.0 10.1 11011.1 5 system switching system.
2. compete for Intel Core 15 processor, 120G SSD, 4GB running memory.
3. Parameter built-in independent with isolation of Hifi-level sound card, to solve the motherboard integrated sound card sound quality is poor without isolation of alternating sound interference
4. Female built-in ups power supply.
5. Contention comes with 4 of 512DMX output, 2048 channels:
6. TNP and Ar-net support, extended to 64 DMX outputs
7. 10 mechanical page-turning replay Pushers:
8. 20 custom macro function keys
9. Vie built in a 14.1 "highlighted touch screen, expand a Titan Fader wing(replay auxiliary station 20 replay Pusher, 30 custom macro features, USB powered).
10. Support for Headphone output.
11. 1 dry Megabit network interface, supporting Art-net, Titan-net, Streaming CAN protocol compatible with other TITAN system.
12. Carton size :59\*54\*29cm. NW :13.3KG
13. Flightcase: 59\*54\*35.5cm . NW:22.8KG

# GBR-KT2048

Pearl Console



## SPECIFICATION

1. Power supply :AC100-240V/50-60Hz.
2. DMX512/1990 standard, maximum 2048 DMX control channels, four channels of photoelectric isolation signal output
2. Maximum control of 200 computer lights or 200 channels of dimming.
3. New Art-net network port, with built-in emulator function, can be directly on the computer light simulation. At the same time, the network cable can be used instead of signal line to connect the lamp.
4. RDM two-way signal output. The address code of the lamp can be set directly on the console.
5. The pearl library (R20 format lamp library) can be used, and the library can be written on the console.
6. Competition with backlit LCD display, the first Chinese and English display can be switched interface.
7. Built-in graphics trajectory generator, there are 227 built-in graphics, convenient for users to control the computer lamp graphics trajectory, picturesque circle, spiral, rainbow, chase and other effects.
8. Graphic parameters (such as amplitude, speed, interval, wave, direction) can be set independently, making it more convenient to make the desired shape and scene.
9. Each scene can save the number of graphics 5; At the same time can run the number of graphics 10.
10. There is program recording function, can store up to 100 programs, light show demo once and for all.
11. With built-in time code and external MIDI trigger function, you can easily realize the dazzling light show with one click sound and light synchronization.
12. Scene can achieve overlapping function, graphics width parameter, can be faster programming. With advanced organizing skills.
13. Can store 100 material, material sharing or independent material can be set at will.
14. Material storage mode has four, material storage and call flexible and convenient.
15. Can store 150 replay scenes, used to store multi-step scenes and single step scenes. Each multi-step scenario can store up to 600 single steps.
16. With 15 replay scenarios can be output and run simultaneously.
17. With 15 centralized control push rods. Key point control and push rod integrated control capacity.
18. Supports reconfiguration of section address codes, vertical and horizontal switching, and channel output reversal.
19. Shutdown or sudden power failure and other circumstances data can be memorized and maintained.
20. Usb flash drives can back up console data, and can be re-imported to the console for use. Data of the same model can be shared.
21. Support remote software upgrade, anytime and anywhere to add new functions.
22. With pre-programming function, off-line pre-programming, save trouble and worry.
23. The preset push rod can control the attributes of the computer lamp, and the attribute control is more convenient and fast.
24. Supports immediate black field and scene interlock.
25. Professional neck working lamp, suitable for indoor and outdoor performance. (Optional)
26. Product size :600\*465\*130mm NW :10.5KG
27. Flightcase Package: 660\*550\*225mm NW :24KG
28. Carton box :690\*535\*220mm NW :14KG

# CONTACT US

Email:[info@annolighting.com](mailto:info@annolighting.com)

Website:[www.annolighting.com](http://www.annolighting.com)

Whatsapp:[+86-136-0311-8257](https://wa.me/8613603118257)

Instagram:[@AnnoLighting](https://www.instagram.com/AnnoLighting)