



GRASSLAND LIGHTS



绿化再美，晚上也需要一盏灯光的搭配。
No matter how beautiful the greenery is, a light is needed at night.

市电系列 CITY POWER SERIES



型号：CP20181

产品参数

+++

- 产品尺寸：φ108*H300-800mm
- 功率：7W
- 色温：3000K
- 电压：AC100-265V
- 电流：300mA
- 灯体材质：压铸铝+型材铝
- 灯体颜色：砂黑/砂灰
- 光源类型：COB（晶元芯片）
- 显色指数：>80
- 防护等级：IP65
- 适用场景：别墅、花园、公园、小区等绿化工程

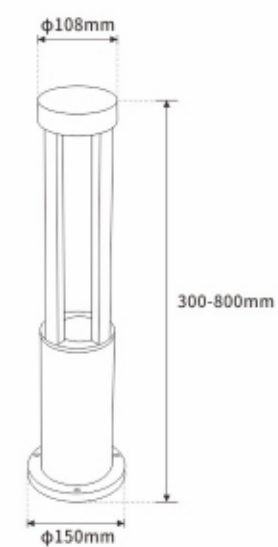
+++

产品细节 PRODUCT DETAILS



+++

灯具结构图 LAMP CONSTRUCTION DRAWING



PRODUCT PARAMETER

+++

- Product size: φ108*H300-800mm
- Power rate: 7W
- Color temperature: 3000K
- Voltage: AC100-265V
- Current: 300mA
- Lamp body material: die-cast aluminum + profile aluminum
- Light body color: sand black/sand gray
- Type of light source: COB (Epistar Chip)
- Color rendering index: >80
- Degree of protection: IP65
- Applicable scenarios: villas, gardens, parks, communities and other greening projects



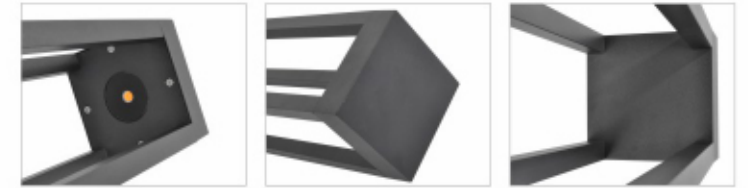
绿化再美，晚上也需要一盏灯光的搭配。
No matter how beautiful the greenery is, a light is needed at night.

市电系列 CITY POWER SERIES

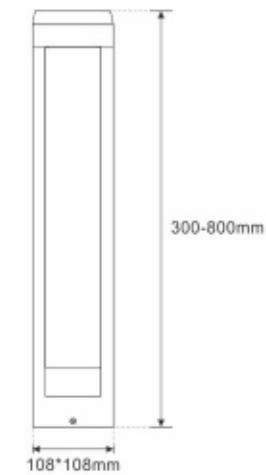


型号：CP20183

+++ 产品细节 PRODUCT DETAILS



+++ 灯具结构图 LAMP CONSTRUCTION DRAWING



产品参数

+++

- 产品尺寸：108*108*H300-800mm
- 功率：7W
- 色温：3000K
- 电压：AC100-265V
- 电流：300mA
- 灯体材质：压铸铝+型材铝
- 灯体颜色：砂黑/砂灰
- 光源类型：COB（晶元芯片）
- 显色指数：>80
- 防护等级：IP65
- 适用场景：别墅、花园、公园、小区等绿化工程

PRODUCT PARAMETER

+++

- Product size: 108*108*H300-800mm
- Power rate: 7W
- Color temperature: 3000K
- Voltage: AC100-265V
- Current: 300mA
- Lamp body material: die-cast aluminum + profile aluminum
- Light body color: sand black/sand gray
- Type of light source: COB (Epistar Chip)
- Color rendering index: >80
- Degree of protection: IP65
- Applicable scenarios: villas, gardens, parks, communities and other greening projects



绿化再美，晚上也需要一盏灯光的搭配。
No matter how beautiful the greenery is, a light is needed at night.

市电系列 CITY POWER SERIES

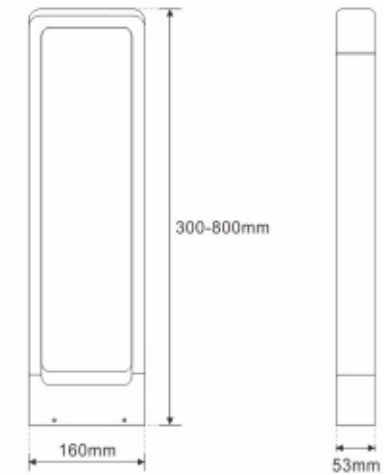


型号：CP20184

+++ 产品细节 PRODUCT DETAILS



+++ 灯具结构图 LAMP CONSTRUCTION DRAWING



产品参数

+++

- 产品尺寸：160*53*H300-800mm
- 功率：7W
- 色温：3000K
- 电压：AC100-265V
- 电流：300mA
- 灯体材质：压铸铝+型材铝
- 灯体颜色：砂黑/砂灰
- 光源类型：COB（晶元芯片）
- 显色指数：>80
- 防护等级：IP65
- 适用场景：别墅、花园、公园、小区等绿化工程

PRODUCT PARAMETER

+++

- Product size: 160*53*H300-800mm
- Power rate: 7W
- Color temperature: 3000K
- Voltage: AC100-265V
- Current: 300mA
- Lamp body material: die-cast aluminum + profile aluminum
- Light body color: sand black/sand gray
- Type of light source: COB (Epistar Chip)
- Color rendering index: >80
- Degree of protection: IP65
- Applicable scenarios: villas, gardens, parks, communities and other greening projects



绿化再美，晚上也需要一盏灯光的搭配。
No matter how beautiful the greenery is, a light is needed at night.

市电系列 CITY POWER SERIES



型号：CP20185

产品参数

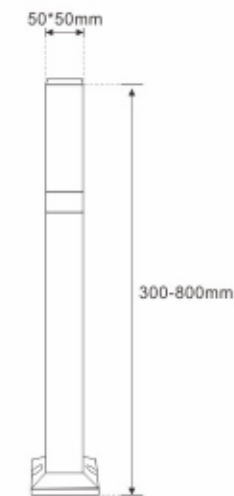
+++

- 产品尺寸：50*50*H300-800mm
- 功率：5W
- 色温：3000K
- 电压：AC100-265V
- 电流：300mA
- 灯体材质：压铸铝+型材铝
- 灯体颜色：砂黑/砂灰
- 光源类型：COB（晶元芯片）
- 显色指数：>80
- 防护等级：IP65
- 适用场景：别墅、花园、公园、小区等绿化工程

+++ 产品细节 PRODUCT DETAILS



+++ 灯具结构图 LAMP CONSTRUCTION DRAWING



PRODUCT PARAMETER

+++

- Product size: 50*50*H300-800mm
- Power rate: 5W
- Color temperature: 3000K
- Voltage: AC100-265V
- Current: 300mA
- Lamp body material: die-cast aluminum + profile aluminum
- Light body color: sand black/sand gray
- Type of light source: COB (Epistar Chip)
- Color rendering index: >80
- Degree of protection: IP65
- Applicable scenarios: villas, gardens, parks, communities and other greening projects



绿化再美，晚上也需要一盏灯光的搭配。
No matter how beautiful the greenery is, a light is needed at night.

市电系列 CITY POWER SERIES

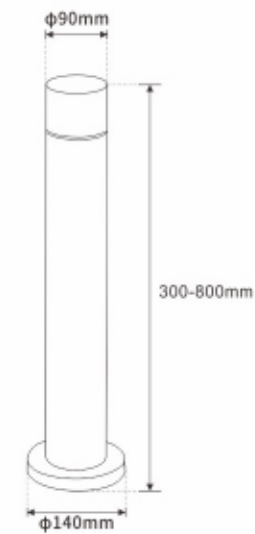


型号：CP20186

+++ 产品细节 PRODUCT DETAILS



+++ 灯具结构图 LAMP CONSTRUCTION DRAWING



产品参数

+++

- 产品尺寸：φ90*H300-800mm
- 功率：7W
- 色温：3000K
- 电压：AC100-265V
- 电流：300mA
- 灯体材质：压铸铝+型材铝
- 灯体颜色：砂黑/砂灰
- 光源类型：COB（晶元芯片）
- 显色指数：>80
- 防护等级：IP65
- 适用场景：别墅、花园、公园、小区等绿化工程

PRODUCT PARAMETER

+++

- Product size: φ90*H300-800mm
- Power rate: 7W
- Color temperature: 3000K
- Voltage: AC100-265V
- Current: 300mA
- Lamp body material: die-cast aluminum + profile aluminum
- Light body color: sand black/sand gray
- Type of light source: COB (Epistar Chip)
- Color rendering index: >80
- Degree of protection: IP65
- Applicable scenarios: villas, gardens, parks, communities and other greening projects



绿化再美，晚上也需要一盏灯光的搭配。
No matter how beautiful the greenery is, a light is needed at night.

市电系列
CITY POWER SERIES

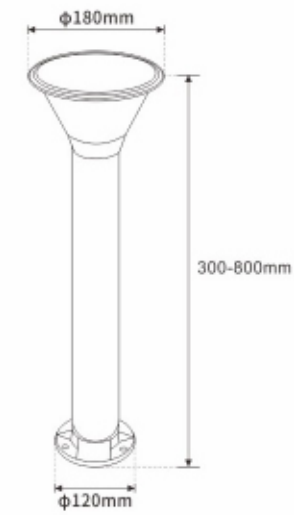


型号：CP20187

+++
产品细节
PRODUCT DETAILS



+++
灯具结构图
LAMP CONSTRUCTION DRAWING



产品参数

+++

- 产品尺寸：φ180*H300-800mm
- 功率：7W
- 色温：3000K
- 电压：AC100-265V
- 电流：300mA
- 灯体材质：压铸铝+型材铝
- 灯体颜色：砂黑/砂灰
- 光源类型：COB（晶元芯片）
- 显色指数：>80
- 防护等级：IP65
- 适用场景：别墅、花园、公园、小区等绿化工程

PRODUCT PARAMETER

+++

- Product size: φ180*H300-800mm
- Power rate: 7W
- Color temperature: 3000K
- Voltage: AC100-265V
- Current: 300mA
- Lamp body material: die-cast aluminum + profile aluminum
- Light body color: sand black/sand gray
- Type of light source: COB (Epistar Chip)
- Color rendering index: >80
- Degree of protection: IP65
- Applicable scenarios: villas, gardens, parks, communities and other greening projects



绿化再美，晚上也需要一盏灯光的搭配。
No matter how beautiful the greenery is, a light is needed at night.

市电系列 CITY POWER SERIES

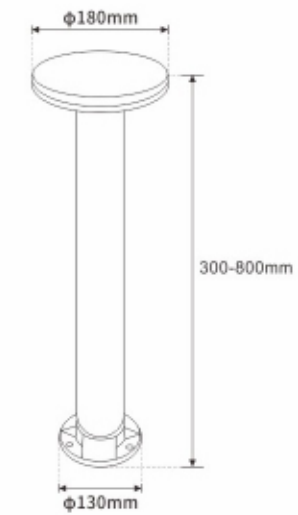


型号：CP20188

+++ 产品细节 PRODUCT DETAILS



+++ 灯具结构图 LAMP CONSTRUCTION DRAWING



产品参数

+++

- 产品尺寸： $\phi 180 \times H300-800\text{mm}$
- 功率：12W
- 色温：3000K
- 电压：AC100-265V
- 电流：300mA
- 灯体材质：压铸铝+型材铝
- 灯体颜色：砂黑/砂灰
- 光源类型：LED 5730（晶元芯片）
- 显色指数：>80
- 防护等级：IP65
- 适用场景：别墅、花园、公园、小区等绿化工程

PRODUCT PARAMETER

+++

- Product size: $\phi 180 \times H300-800\text{mm}$
- Power rate: 12W
- Color temperature: 3000K
- Voltage: AC100-265V
- Current: 300mA
- Lamp body material: die-cast aluminum + profile aluminum
- Light body color: sand black/sand gray
- Type of light source: LED 5730 (Epistar Chip)
- Color rendering index: >80
- Degree of protection: IP65
- Applicable scenarios: villas, gardens, parks, communities and other greening projects



绿化再美，晚上也需要一盏灯光的搭配。
No matter how beautiful the greenery is, a light is needed at night.

市电系列
CITY POWER SERIES

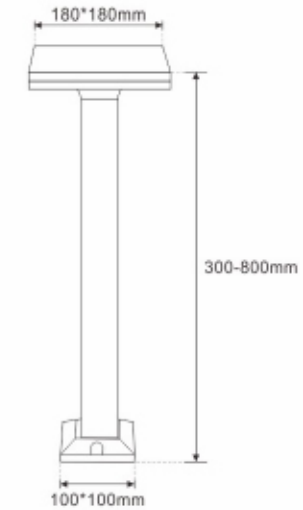


型号：CP20189

+++
产品细节
PRODUCT DETAILS



+++
灯具结构图
LAMP CONSTRUCTION DRAWING



产品参数

+++

- 产品尺寸：180*180*H300-800mm
- 功率：12W
- 色温：3000K
- 电压：AC100-265V
- 电流：300mA
- 灯体材质：压铸铝+型材铝
- 灯体颜色：砂黑/砂灰
- 光源类型：LED 5730（晶元芯片）
- 显色指数：>80
- 防护等级：IP65
- 适用场景：别墅、花园、公园、小区等绿化工程

PRODUCT PARAMETER

+++

- Product size: 180*180*H300-800mm
- Power rate: 12W
- Color temperature: 3000K
- Voltage: AC100-265V
- Current: 300mA
- Lamp body material: die-cast aluminum + profile aluminum
- Light body color: sand black/sand gray
- Type of light source: LED 5730 (Epistar Chip)
- Color rendering index: >80
- Degree of protection: IP65
- Applicable scenarios: villas, gardens, parks, communities and other greening projects



绿化再美，晚上也需要一盏灯光的搭配。
No matter how beautiful the greenery is, a light is needed at night.

市电系列
CITY POWER SERIES



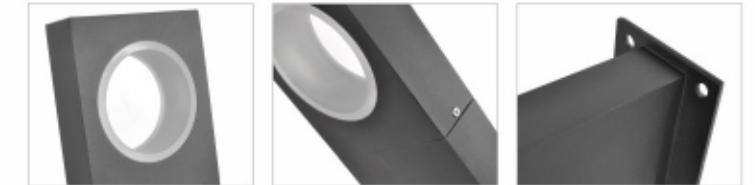
型号：CP201810

产品参数

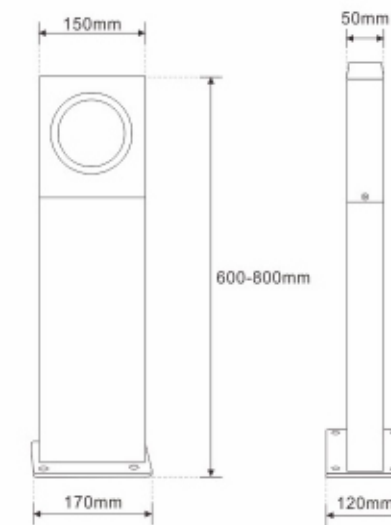
+++

- 产品尺寸：150*50*H600-800mm
- 功率：12W
- 色温：3000K
- 电压：AC100-265V
- 电流：300mA
- 灯体材质：压铸铝+型材铝
- 灯体颜色：砂黑/砂灰
- 光源类型：COB（晶元芯片）
- 显色指数：>80
- 防护等级：IP65
- 适用场景：别墅、花园、公园、小区等绿化工程

+++
产品细节
PRODUCT DETAILS



+++
灯具结构图
LAMP CONSTRUCTION DRAWING



PRODUCT PARAMETER

+++

- Product size: 150*50*H600-800mm
- Power rate: 12W
- Color temperature: 3000K
- Voltage: AC100-265V
- Current: 300mA
- Lamp body material: die-cast aluminum + profile aluminum
- Light body color: sand black/sand gray
- Type of light source: COB (Epistar Chip)
- Color rendering index: >80
- Degree of protection: IP65
- Applicable scenarios: villas, gardens, parks, communities and other greening projects



绿化再美，晚上也需要一盏灯光的搭配。
No matter how beautiful the greenery is, a light is needed at night.

市电系列 CITY POWER SERIES



型号：CP201811

产品参数

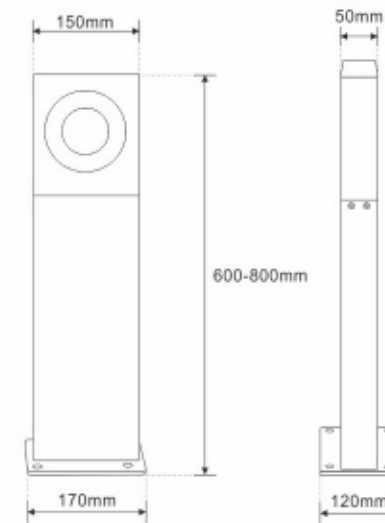
+++

- 产品尺寸：150*50*H600-800mm
- 功率：12W
- 色温：3000K
- 电压：AC100-265V
- 电流：300mA
- 灯体材质：压铸铝+型材铝
- 灯体颜色：砂黑/砂灰
- 光源类型：COB（晶元芯片）
- 显色指数：>80
- 防护等级：IP65
- 适用场景：别墅、花园、公园、小区等绿化工程

+++ 产品细节 PRODUCT DETAILS



+++ 灯具结构图 LAMP CONSTRUCTION DRAWING



PRODUCT PARAMETER

+++

- Product size: 150*50*H600-800mm
- Power rate: 12W
- Color temperature: 3000K
- Voltage: AC100-265V
- Current: 300mA
- Lamp body material: die-cast aluminum + profile aluminum
- Light body color: sand black/sand gray
- Type of light source: COB (Epistar Chip)
- Color rendering index: >80
- Degree of protection: IP65
- Applicable scenarios: villas, gardens, parks, communities and other greening projects



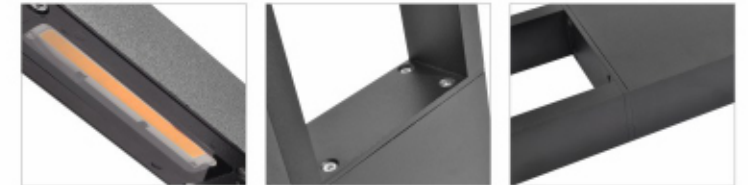
绿化再美，晚上也需要一盏灯光的搭配。
No matter how beautiful the greenery is, a light is needed at night.

市电系列 CITY POWER SERIES



型号：CP201812

+++ 产品细节 PRODUCT DETAILS



+++ 灯具结构图 LAMP CONSTRUCTION DRAWING



产品参数

+++

- 产品尺寸：160*55*H300-800mm
- 功率：10W
- 色温：3000K
- 电压：AC100-265V
- 电流：300mA
- 灯体材质：压铸铝+型材铝
- 灯体颜色：砂黑/砂灰
- 光源类型：COB（晶元芯片）
- 显色指数：>80
- 防护等级：IP65
- 适用场景：别墅、花园、公园、小区等绿化工程

PRODUCT PARAMETER

+++

- Product size: 160*55*H300-800mm
- Power rate: 10W
- Color temperature: 3000K
- Voltage: AC100-265V
- Current: 300mA
- Lamp body material: die-cast aluminum + profile aluminum
- Light body color: sand black/sand gray
- Type of light source: COB (Epistar Chip)
- Color rendering index: >80
- Degree of protection: IP65
- Applicable scenarios: villas, gardens, parks, communities and other greening projects



绿化再美，晚上也需要一盏灯光的搭配。

No matter how beautiful the greenery is, a light is needed at night.

市电系列 CITY POWER SERIES



型号：CP201813

+++ 产品细节 PRODUCT DETAILS



+++ 灯具结构图 LAMP CONSTRUCTION DRAWING



产品参数

+++

- 产品尺寸：160*55*H300-800mm
- 功率：10W
- 色温：3000K
- 电压：AC100-265V
- 电流：300mA
- 灯体材质：压铸铝+型材铝
- 灯体颜色：砂黑/砂灰
- 光源类型：COB（晶元芯片）
- 显色指数：>80
- 防护等级：IP65
- 适用场景：别墅、花园、公园、小区等绿化工程

PRODUCT PARAMETER

+++

- Product size: 160*55*H300-800mm
- Power rate: 10W
- Color temperature: 3000K
- Voltage: AC100-265V
- Current: 300mA
- Lamp body material: die-cast aluminum + profile aluminum
- Light body color: sand black/sand gray
- Type of light source: COB (Epistar Chip)
- Color rendering index: >80
- Degree of protection: IP65
- Applicable scenarios: villas, gardens, parks, communities and other greening projects



绿化再美，晚上也需要一盏灯光的搭配。
No matter how beautiful the greenery is, a light is needed at night.

市电系列 CITY POWER SERIES

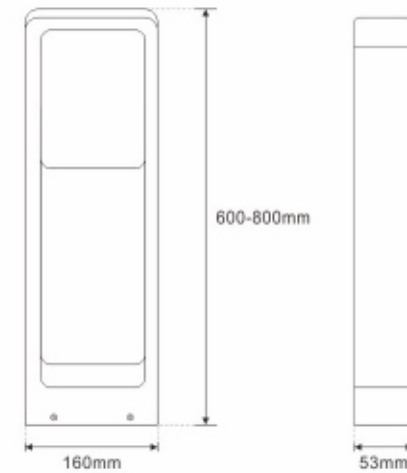


型号：CP201814

+++ 产品细节 PRODUCT DETAILS



+++ 灯具结构图 LAMP CONSTRUCTION DRAWING



产品参数

+++

- 产品尺寸：160*53*H600-800mm
- 功率：20W
- 色温：3000K
- 电压：AC100-265V
- 电流：300mA
- 灯体材质：压铸铝+型材铝
- 灯体颜色：砂黑/砂灰
- 光源类型：LED 5730 (晶元芯片)
- 显色指数：>80
- 防护等级：IP65
- 适用场景：别墅、花园、公园、小区等绿化工程

PRODUCT PARAMETER

+++

- Product size: 160*53*H600-800mm
- Power rate: 20W
- Color temperature: 3000K
- Voltage: AC100-265V
- Current: 300mA
- Lamp body material: die-cast aluminum + profile aluminum
- Light body color: sand black/sand gray
- Type of light source: LED 5730 (Epistar Chip)
- Color rendering index: >80
- Degree of protection: IP65
- Applicable scenarios: villas, gardens, parks, communities and other greening projects



绿化再美，晚上也需要一盏灯光的搭配。

No matter how beautiful the greenery is, a light is needed at night.

市电系列 CITY POWER SERIES

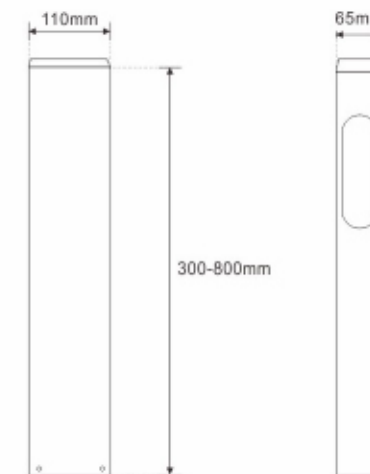


型号：CP20191

+++ 产品细节 PRODUCT DETAILS



+++ 灯具结构图 LAMP CONSTRUCTION DRAWING



产品参数

+++

- 产品尺寸：110*65*H300-800mm
- 功率：5W
- 色温：3000K
- 电压：AC100-265V
- 电流：300mA
- 灯体材质：压铸铝+型材铝
- 灯体颜色：砂黑/砂灰
- 光源类型：COB（晶元芯片）
- 显色指数：>80
- 防护等级：IP65
- 适用场景：别墅、花园、公园、小区等绿化工程

PRODUCT PARAMETER

+++

- Product size: 110*65*H300-800mm
- Power rate: 5W
- Color temperature: 3000K
- Voltage: AC100-265V
- Current: 300mA
- Lamp body material: die-cast aluminum + profile aluminum
- Light body color: sand black/sand gray
- Type of light source: COB (Epistar Chip)
- Color rendering index: >80
- Degree of protection: IP65
- Applicable scenarios: villas, gardens, parks, communities and other greening projects



绿化再美，晚上也需要一盏灯光的搭配。

No matter how beautiful the greenery is, a light is needed at night.

市电系列 CITY POWER SERIES

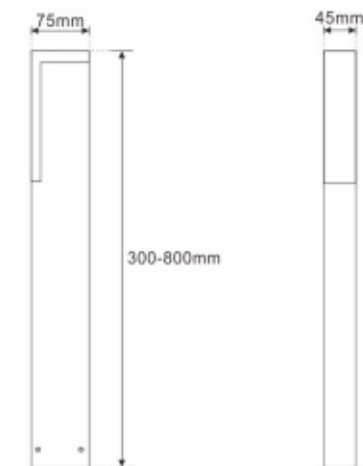


型号：CP20192

+++ 产品细节 PRODUCT DETAILS



+++ 灯具结构图 LAMP CONSTRUCTION DRAWING



产品参数

+++

- 产品尺寸：75*45*H300-800mm
- 功率：10W
- 色温：3000K
- 电压：AC100-265V
- 电流：300mA
- 灯体材质：压铸铝+型材铝
- 灯体颜色：砂黑/砂灰
- 光源类型：LED 5730（晶元芯片）
- 显色指数：>80
- 防护等级：IP65
- 适用场景：别墅、花园、公园、小区等绿化工程

PRODUCT PARAMETER

+++

- Product size: 75*45*H300-800mm
- Power rate: 10W
- Color temperature: 3000K
- Voltage: AC100-265V
- Current: 300mA
- Lamp body material: die-cast aluminum + profile aluminum
- Light body color: sand black/sand gray
- Type of light source: LED 5730 (Epistar Chip)
- Color rendering index: >80
- Degree of protection: IP65
- Applicable scenarios: villas, gardens, parks, communities and other greening projects



绿化再美，晚上也需要一盏灯光的搭配。
No matter how beautiful the greenery is, a light is needed at night.

市电系列 CITY POWER SERIES

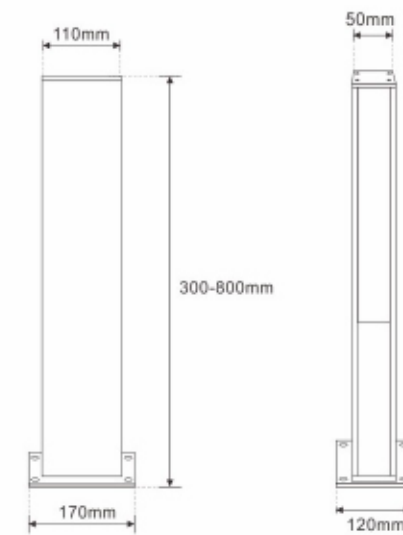


型号：CP20193

+++ 产品细节 PRODUCT DETAILS



+++ 灯具结构图 LAMP CONSTRUCTION DRAWING



产品参数

+++

- 产品尺寸：110*50*H300-800mm
- 功率：10W
- 色温：3000K
- 电压：AC100-265V
- 电流：300mA
- 灯体材质：压铸铝+型材铝
- 灯体颜色：砂黑/砂灰
- 光源类型：LED 5730（晶元芯片）
- 显色指数：>80
- 防护等级：IP65
- 适用场景：别墅、花园、公园、小区等绿化工程

PRODUCT PARAMETER

+++

- Product size: 110*50*H300-800mm
- Power rate: 10W
- Color temperature: 3000K
- Voltage: AC100-265V
- Current: 300mA
- Lamp body material: die-cast aluminum + profile aluminum
- Light body color: sand black/sand gray
- Type of light source: LED 5730 (Epistar Chip)
- Color rendering index: >80
- Degree of protection: IP65
- Applicable scenarios: villas, gardens, parks, communities and other greening projects



绿化再美，晚上也需要一盏灯光的搭配。
No matter how beautiful the greenery is, a light is needed at night.

市电系列 CITY POWER SERIES

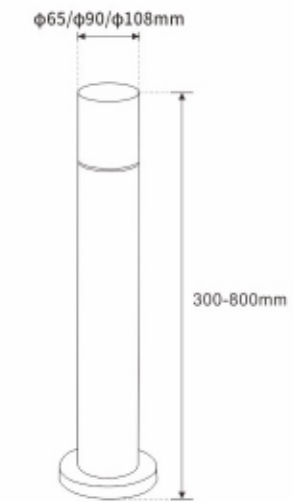


型号：CP20194

+++ 产品细节 PRODUCT DETAILS



+++ 灯具结构图 LAMP CONSTRUCTION DRAWING



产品参数

+++

- 产品尺寸：φ65/φ90/φ108*H300-800mm
- 功率：7W
- 色温：3000K
- 电压：AC100-265V
- 电流：300mA
- 灯体材质：压铸铝+型材铝
- 灯体颜色：砂黑/砂灰
- 光源类型：COB（晶元芯片）
- 显色指数：>80
- 防护等级：IP65
- 适用场景：别墅、花园、公园、小区等绿化工程

PRODUCT PARAMETER

+++

- Product size: φ65/φ90/φ108*H300-800mm
- Power rate: 7W
- Color temperature: 3000K
- Voltage: AC100-265V
- Current: 300mA
- Lamp body material: die-cast aluminum + profile aluminum
- Light body color: sand black/sand gray
- Type of light source: COB (Epistar Chip)
- Color rendering index: >80
- Degree of protection: IP65
- Applicable scenarios: villas, gardens, parks, communities and other greening projects



绿化再美，晚上也需要一盏灯光的搭配。

No matter how beautiful the greenery is, a light is needed at night.

市电系列 CITY POWER SERIES

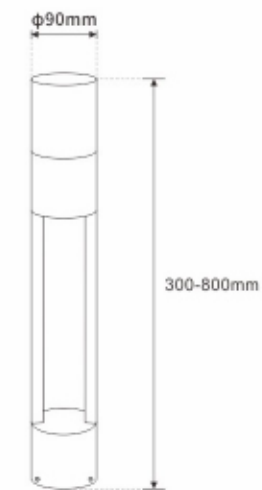


型号：CP20195

+++ 产品细节 PRODUCT DETAILS



+++ 灯具结构图 LAMP CONSTRUCTION DRAWING



产品参数

+++

- 产品尺寸：φ90*H300-800mm
- 功率：7W
- 色温：3000K
- 电压：AC100-265V
- 电流：300mA
- 灯体材质：压铸铝+型材铝
- 灯体颜色：砂黑/砂灰
- 光源类型：COB（晶元芯片）
- 显色指数：>80
- 防护等级：IP65
- 适用场景：别墅、花园、公园、小区等绿化工程

PRODUCT PARAMETER

+++

- Product size: φ90*H300-800mm
- Power rate: 7W
- Color temperature: 3000K
- Voltage: AC100-265V
- Current: 300mA
- Lamp body material: die-cast aluminum + profile aluminum
- Light body color: sand black/sand gray
- Type of light source: COB (Epistar Chip)
- Color rendering index: >80
- Degree of protection: IP65
- Applicable scenarios: villas, gardens, parks, communities and other greening projects



绿化再美，晚上也需要一盏灯光的搭配。
No matter how beautiful the greenery is, a light is needed at night.

市电系列 CITY POWER SERIES



型号：CP20196

产品参数

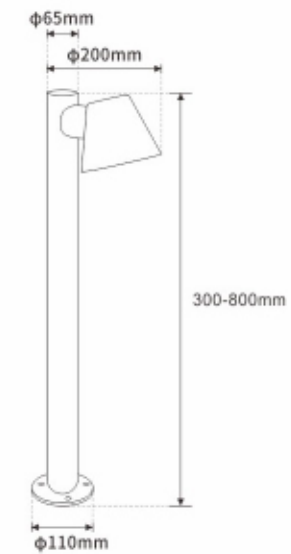
+++

- 产品尺寸：φ200*H300-800mm
- 功率：7W
- 色温：3000K
- 电压：AC100-265V
- 电流：300mA
- 灯体材质：压铸铝+型材铝
- 灯体颜色：砂黑/砂灰
- 光源类型：COB（晶元芯片）
- 显色指数：>80
- 防护等级：IP65
- 适用场景：别墅、花园、公园、小区等绿化工程

+++ 产品细节 PRODUCT DETAILS



+++ 灯具结构图 LAMP CONSTRUCTION DRAWING



PRODUCT PARAMETER

+++

- Product size: φ200*H300-800mm
- Power rate: 7W
- Color temperature: 3000K
- Voltage: AC100-265V
- Current: 300mA
- Lamp body material: die-cast aluminum + profile aluminum
- Light body color: sand black/sand gray
- Type of light source: COB (Epistar Chip)
- Color rendering index: >80
- Degree of protection: IP65
- Applicable scenarios: villas, gardens, parks, communities and other greening projects



绿化再美，晚上也需要一盏灯光的搭配。

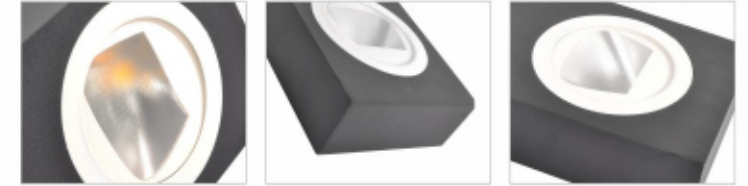
No matter how beautiful the greenery is, a light is needed at night.

市电系列 CITY POWER SERIES

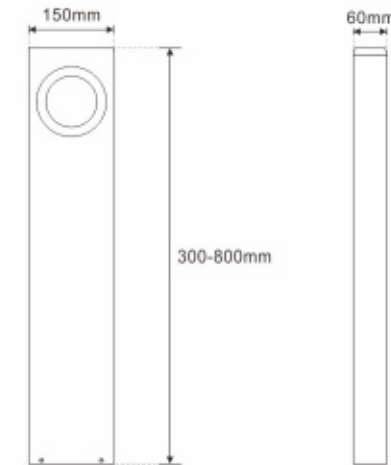


型号：CP20197

+++ 产品细节 PRODUCT DETAILS



+++ 灯具结构图 LAMP CONSTRUCTION DRAWING



产品参数

+++

- 产品尺寸：150*60*H300-800mm
- 功率：10W
- 色温：3000K
- 电压：AC100-265V
- 电流：300mA
- 灯体材质：压铸铝+型材铝
- 灯体颜色：砂黑/砂灰
- 光源类型：COB（晶元芯片）
- 显色指数：>80
- 防护等级：IP65
- 适用场景：别墅、花园、公园、小区等绿化工程

PRODUCT PARAMETER

+++

- Product size: 150*60*H300-800mm
- Power rate: 10W
- Color temperature: 3000K
- Voltage: AC100-265V
- Current: 300mA
- Lamp body material: die-cast aluminum + profile aluminum
- Light body color: sand black/sand gray
- Type of light source: COB (Epistar Chip)
- Color rendering index: >80
- Degree of protection: IP65
- Applicable scenarios: villas, gardens, parks, communities and other greening projects



绿化再美，晚上也需要一盏灯光的搭配。
No matter how beautiful the greenery is, a light is needed at night.

市电系列 CITY POWER SERIES

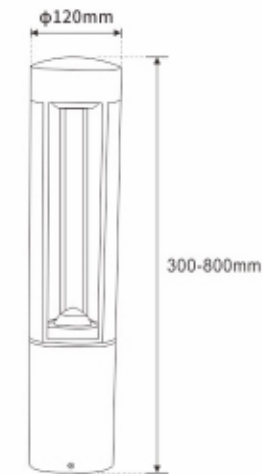


型号：CP20198

+++ 产品细节 PRODUCT DETAILS



+++ 灯具结构图 LAMP CONSTRUCTION DRAWING



产品参数

+++

- 产品尺寸：φ120*H300-800mm
- 功率：10W
- 色温：3000K
- 电压：AC100-265V
- 电流：300mA
- 灯体材质：压铸铝+型材铝
- 灯体颜色：砂黑/砂灰
- 光源类型：COB（晶元芯片）
- 显色指数：>80
- 防护等级：IP65
- 适用场景：别墅、花园、公园、小区等绿化工程

PRODUCT PARAMETER

+++

- Product size: φ120*H300-800mm
- Power rate: 10W
- Color temperature: 3000K
- Voltage: AC100-265V
- Current: 300mA
- Lamp body material: die-cast aluminum + profile aluminum
- Light body color: sand black/sand gray
- Type of light source: COB (Epistar Chip)
- Color rendering index: >80
- Degree of protection: IP65
- Applicable scenarios: villas, gardens, parks, communities and other greening projects



绿化再美，晚上也需要一盏灯光的搭配。
No matter how beautiful the greenery is, a light is needed at night.

市电系列 CITY POWER SERIES

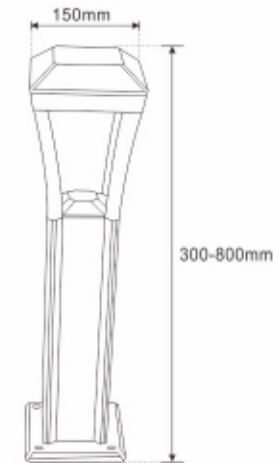


型号：CP20199

+++ 产品细节 PRODUCT DETAILS



+++ 灯具结构图 LAMP CONSTRUCTION DRAWING



产品参数

+++

- 产品尺寸：150*150*H300-800mm
- 功率：7W
- 色温：3000K
- 电压：AC100-265V
- 电流：300mA
- 灯体材质：压铸铝+型材铝
- 灯体颜色：砂黑/砂灰
- 光源类型：COB（晶元芯片）
- 显色指数：>80
- 防护等级：IP65
- 适用场景：别墅、花园、公园、小区等绿化工程

PRODUCT PARAMETER

+++

- Product size: 150*150*H300-800mm
- Power rate: 7W
- Color temperature: 3000K
- Voltage: AC100-265V
- Current: 300mA
- Lamp body material: die-cast aluminum + profile aluminum
- Light body color: sand black/sand gray
- Type of light source: COB (Epistar Chip)
- Color rendering index: >80
- Degree of protection: IP65
- Applicable scenarios: villas, gardens, parks, communities and other greening projects



绿化再美，晚上也需要一盏灯光的搭配。
No matter how beautiful the greenery is, a light is needed at night.

市电系列
CITY POWER SERIES

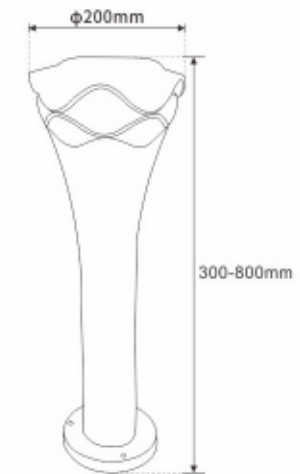


型号：CP201910

+++
产品细节
PRODUCT DETAILS



+++
灯具结构图
LAMP CONSTRUCTION DRAWING



产品参数

+++

- 产品尺寸：φ200*H300-800mm
- 功率：10W
- 色温：3000K
- 电压：AC100-265V
- 电流：300mA
- 灯体材质：压铸铝+型材铝
- 灯体颜色：砂黑/砂灰
- 光源类型：LED 5730 (晶元芯片)
- 显色指数：>80
- 防护等级：IP65
- 适用场景：别墅、花园、公园、小区等绿化工程

PRODUCT PARAMETER

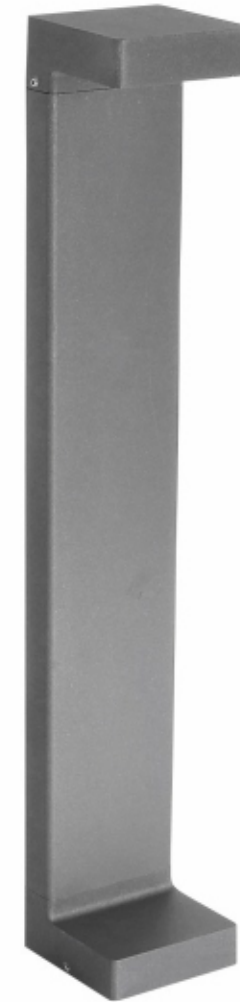
+++

- Product size: φ200*H300-800mm
- Power rate: 10W
- Color temperature: 3000K
- Voltage: AC100-265V
- Current: 300mA
- Lamp body material: die-cast aluminum + profile aluminum
- Light body color: sand black/sand gray
- Type of light source: LED 5730 (Epistar Chip)
- Color rendering index: >80
- Degree of protection: IP65
- Applicable scenarios: villas, gardens, parks, communities and other greening projects



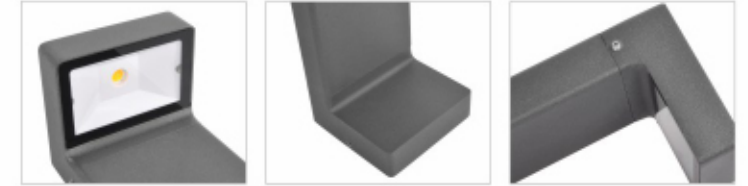
绿化再美，晚上也需要一盏灯光的搭配。
No matter how beautiful the greenery is, a light is needed at night.

市电系列 CITY POWER SERIES

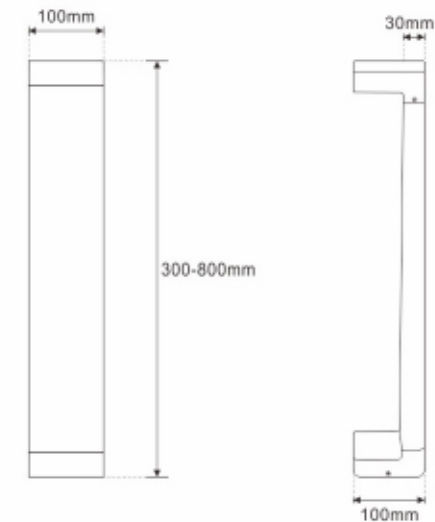


型号：CP20201

+++ 产品细节 PRODUCT DETAILS



+++ 灯具结构图 LAMP CONSTRUCTION DRAWING



产品参数

+++

- 产品尺寸：100*100*H300-800mm
- 功率：7W
- 色温：3000K
- 电压：AC100-265V
- 电流：300mA
- 灯体材质：压铸铝+型材铝
- 灯体颜色：砂黑/砂灰
- 光源类型：COB（晶元芯片）
- 显色指数：>80
- 防护等级：IP65
- 适用场景：别墅、花园、公园、小区等绿化工程

PRODUCT PARAMETER

+++

- Product size: 100*100*H300-800mm
- Power rate: 7W
- Color temperature: 3000K
- Voltage: AC100-265V
- Current: 300mA
- Lamp body material: die-cast aluminum + profile aluminum
- Light body color: sand black/sand gray
- Type of light source: COB (Epistar Chip)
- Color rendering index: >80
- Degree of protection: IP65
- Applicable scenarios: villas, gardens, parks, communities and other greening projects



绿化再美，晚上也需要一盏灯光的搭配。
No matter how beautiful the greenery is, a light is needed at night.

市电系列 CITY POWER SERIES

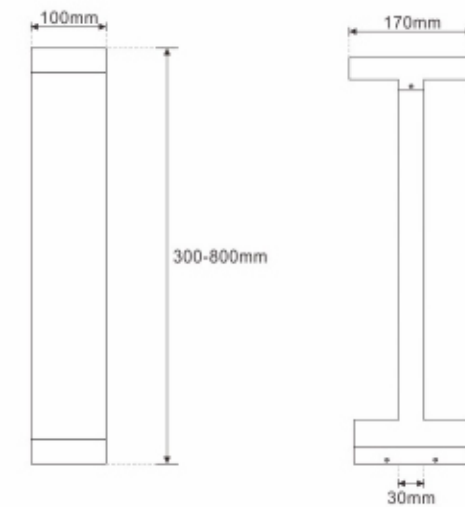


型号：CP20202

+++ 产品细节 PRODUCT DETAILS



+++ 灯具结构图 LAMP CONSTRUCTION DRAWING



产品参数

+++

- 产品尺寸：170*100*H300-800mm
- 功率：5W*2
- 色温：3000K
- 电压：AC100-265V
- 电流：300mA
- 灯体材质：压铸铝+型材铝
- 灯体颜色：砂黑/砂灰
- 光源类型：COB（晶元芯片）
- 显色指数：>80
- 防护等级：IP65
- 适用场景：别墅、花园、公园、小区等绿化工程

PRODUCT PARAMETER

+++

- Product size: 170*100*H300-800mm
- Power rate: 5W*2
- Color temperature: 3000K
- Voltage: AC100-265V
- Current: 300mA
- Lamp body material: die-cast aluminum + profile aluminum
- Light body color: sand black/sand gray
- Type of light source: COB (Epistar Chip)
- Color rendering index: >80
- Degree of protection: IP65
- Applicable scenarios: villas, gardens, parks, communities and other greening projects



.....
绿化再美，晚上也需要一盏灯光的搭配。
No matter how beautiful the greenery is, a light is needed at night.

市电系列
CITY POWER SERIES

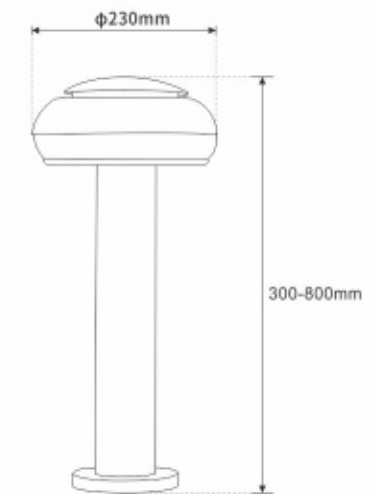


型号：CP20203

+++
产品细节
PRODUCT DETAILS



+++
灯具结构图
LAMP CONSTRUCTION DRAWING



产品参数

+++

- 产品尺寸：φ230*H300-800mm
- 功率：10W
- 色温：3000K
- 电压：AC100-265V
- 电流：300mA
- 灯体材质：压铸铝+型材铝
- 灯体颜色：砂黑/砂灰
- 光源类型：LED 5730（晶元芯片）
- 显色指数：>80
- 防护等级：IP65
- 适用场景：别墅、花园、公园、小区等绿化工程

PRODUCT PARAMETER

+++

- Product size: φ230*H300-800mm
- Power rate: 10W
- Color temperature: 3000K
- Voltage: AC100-265V
- Current: 300mA
- Lamp body material: die-cast aluminum + profile aluminum
- Light body color: sand black/sand gray
- Type of light source: LED 5730 (Epistar Chip)
- Color rendering index: >80
- Degree of protection: IP65
- Applicable scenarios: villas, gardens, parks, communities and other greening projects



绿化再美，晚上也需要一盏灯光的搭配。
No matter how beautiful the greenery is, a light is needed at night.

市电系列
CITY POWER SERIES

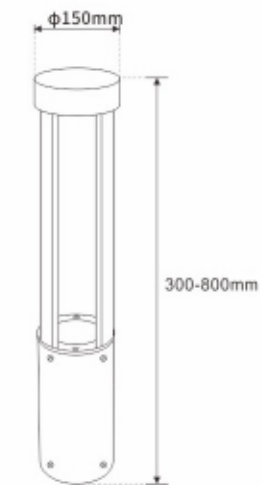


型号：CP20204

+++
产品细节
PRODUCT DETAILS



+++
灯具结构图
LAMP CONSTRUCTION DRAWING



产品参数

+++

- 产品尺寸：φ150*H300-800mm
- 功率：10W
- 色温：3000K
- 电压：AC100-265V
- 电流：300mA
- 灯体材质：压铸铝+型材铝
- 灯体颜色：砂黑/砂灰
- 光源类型：COB（晶元芯片）
- 显色指数：>80
- 防护等级：IP65
- 适用场景：别墅、花园、公园、小区等绿化工程

PRODUCT PARAMETER

+++

- Product size: φ150*H300-800mm
- Power rate: 10W
- Color temperature: 3000K
- Voltage: AC100-265V
- Current: 300mA
- Lamp body material: die-cast aluminum + profile aluminum
- Light body color: sand black/sand gray
- Type of light source: COB (Epistar Chip)
- Color rendering index: >80
- Degree of protection: IP65
- Applicable scenarios: villas, gardens, parks, communities and other greening projects



绿化再美，晚上也需要一盏灯光的搭配。
No matter how beautiful the greenery is, a light is needed at night.

市电系列 CITY POWER SERIES

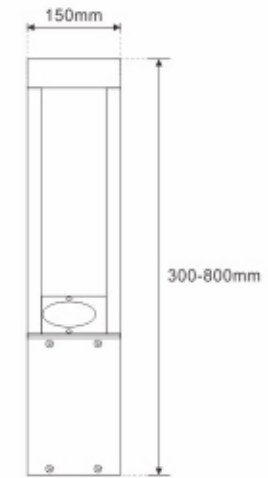


型号：CP20205

+++ 产品细节 PRODUCT DETAILS



+++ 灯具结构图 LAMP CONSTRUCTION DRAWING



产品参数

+++

- 产品尺寸：150*150*H300-800mm
- 功率：10W
- 色温：3000K
- 电压：AC100-265V
- 电流：300mA
- 灯体材质：压铸铝+型材铝
- 灯体颜色：砂黑/砂灰
- 光源类型：COB（晶元芯片）
- 显色指数：>80
- 防护等级：IP65
- 适用场景：别墅、花园、公园、小区等绿化工程

PRODUCT PARAMETER

+++

- Product size: 150*150*H300-800mm
- Power rate: 10W
- Color temperature: 3000K
- Voltage: AC100-265V
- Current: 300mA
- Lamp body material: die-cast aluminum + profile aluminum
- Light body color: sand black/sand gray
- Type of light source: COB (Epistar Chip)
- Color rendering index: >80
- Degree of protection: IP65
- Applicable scenarios: villas, gardens, parks, communities and other greening projects



绿化再美，晚上也需要一盏灯光的搭配。
No matter how beautiful the greenery is, a light is needed at night.

市电系列 CITY POWER SERIES

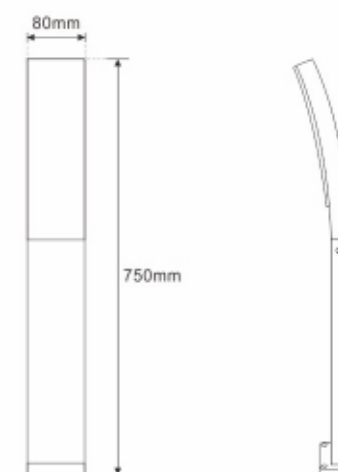


型号：CP20206

+++ 产品细节 PRODUCT DETAILS



+++ 灯具结构图 LAMP CONSTRUCTION DRAWING



产品参数

+++

- 产品尺寸：80*H750mm
- 功率：10W
- 色温：3000K
- 电压：AC100-265V
- 电流：300mA
- 灯体材质：压铸铝+型材铝
- 灯体颜色：砂黑/砂灰
- 光源类型：LED 5730（晶元芯片）
- 显色指数：>80
- 防护等级：IP65
- 适用场景：别墅、花园、公园、小区等绿化工程

PRODUCT PARAMETER

+++

- Product size: 80*H750mm
- Power rate: 10W
- Color temperature: 3000K
- Voltage: AC100-265V
- Current: 300mA
- Lamp body material: die-cast aluminum + profile aluminum
- Light body color: sand black/sand gray
- Type of light source: LED 5730 (Epistar Chip)
- Color rendering index: >80
- Degree of protection: IP65
- Applicable scenarios: villas, gardens, parks, communities and other greening projects



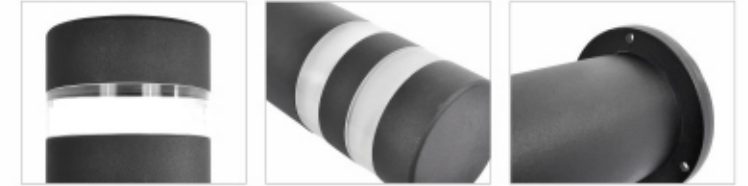
绿化再美，晚上也需要一盏灯光的搭配。
No matter how beautiful the greenery is, a light is needed at night.

市电系列
CITY POWER SERIES

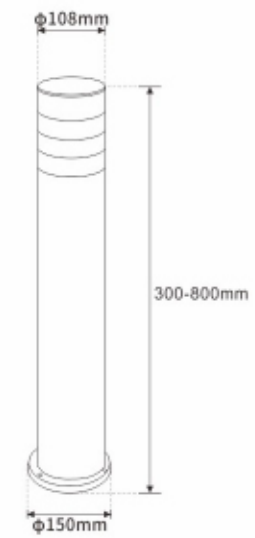


型号：CP20207

+++
产品细节
PRODUCT DETAILS



+++
灯具结构图
LAMP CONSTRUCTION DRAWING



产品参数

+++

- 产品尺寸：φ108*H300-800mm
- 功率：10W
- 色温：3000K
- 电压：AC100-265V
- 电流：300mA
- 灯体材质：压铸铝+型材铝
- 灯体颜色：砂黑/砂灰
- 光源类型：LED 5730（晶元芯片）
- 显色指数：>80
- 防护等级：IP65
- 适用场景：别墅、花园、公园、小区等绿化工程

PRODUCT PARAMETER

+++

- Product size: φ108*H300-800mm
- Power rate: 10W
- Color temperature: 3000K
- Voltage: AC100-265V
- Current: 300mA
- Lamp body material: die-cast aluminum + profile aluminum
- Light body color: sand black/sand gray
- Type of light source: LED 5730 (Epistar Chip)
- Color rendering index: >80
- Degree of protection: IP65
- Applicable scenarios: villas, gardens, parks, communities and other greening projects



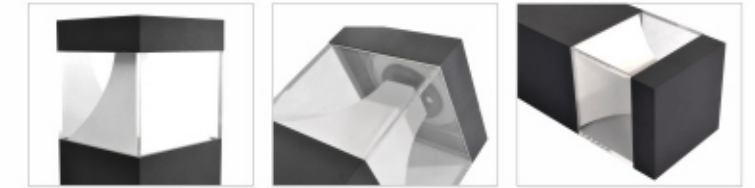
绿化再美，晚上也需要一盏灯光的搭配。
No matter how beautiful the greenery is, a light is needed at night.

市电系列 CITY POWER SERIES

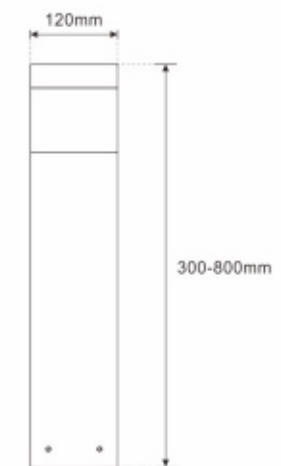


型号：CP20208

+++ 产品细节 PRODUCT DETAILS



+++ 灯具结构图 LAMP CONSTRUCTION DRAWING



产品参数

+++

- 产品尺寸：120*120*H300-800mm
- 功率：10W
- 色温：3000K
- 电压：AC100-265V
- 电流：300mA
- 灯体材质：压铸铝+型材铝
- 灯体颜色：砂黑/砂灰
- 光源类型：LED 5730（晶元芯片）
- 显色指数：>80
- 防护等级：IP65
- 适用场景：别墅、花园、公园、小区等绿化工程

PRODUCT PARAMETER

+++

- Product size: 120*120*H300-800mm
- Power rate: 10W
- Color temperature: 3000K
- Voltage: AC100-265V
- Current: 300mA
- Lamp body material: die-cast aluminum + profile aluminum
- Light body color: sand black/sand gray
- Type of light source: LED 5730 (Epistar Chip)
- Color rendering index: >80
- Degree of protection: IP65
- Applicable scenarios: villas, gardens, parks, communities and other greening projects



绿化再美，晚上也需要一盏灯光的搭配。
No matter how beautiful the greenery is, a light is needed at night.

市电系列 CITY POWER SERIES

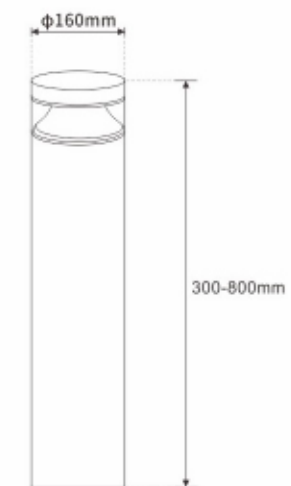


型号：CP20209

+++ 产品细节 PRODUCT DETAILS



+++ 灯具结构图 LAMP CONSTRUCTION DRAWING



产品参数

+++

- 产品尺寸：φ160*H300-800mm
- 功率：12W
- 色温：3000K
- 电压：AC100-265V
- 电流：300mA
- 灯体材质：压铸铝+型材铝
- 灯体颜色：砂黑/砂灰
- 光源类型：LED 5730（晶元芯片）
- 显色指数：>80
- 防护等级：IP65
- 适用场景：别墅、花园、公园、小区等绿化工程

PRODUCT PARAMETER

+++

- Product size: φ160*H300-800mm
- Power rate: 12W
- Color temperature: 3000K
- Voltage: AC100-265V
- Current: 300mA
- Lamp body material: die-cast aluminum + profile aluminum
- Light body color: sand black/sand gray
- Type of light source: LED 5730 (Epistar Chip)
- Color rendering index: >80
- Degree of protection: IP65
- Applicable scenarios: villas, gardens, parks, communities and other greening projects



绿化再美，晚上也需要一盏灯光的搭配。
No matter how beautiful the greenery is, a light is needed at night.

市电系列
CITY POWER SERIES

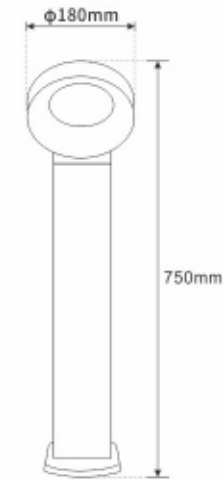


型号：CP202010

+++
产品细节
PRODUCT DETAILS



+++
灯具结构图
LAMP CONSTRUCTION DRAWING



产品参数

+++

- 产品尺寸：φ180*H750mm
- 功率：15W
- 色温：3000K
- 电压：AC100-265V
- 电流：300mA
- 灯体材质：压铸铝+型材铝
- 灯体颜色：砂黑/砂灰
- 光源类型：LED 5730（晶元芯片）
- 显色指数：>80
- 防护等级：IP65
- 适用场景：别墅、花园、公园、小区等绿化工程

PRODUCT PARAMETER

+++

- Product size: φ180*H750mm
- Power rate: 15W
- Color temperature: 3000K
- Voltage: AC100-265V
- Current: 300mA
- Lamp body material: die-cast aluminum + profile aluminum
- Light body color: sand black/sand gray
- Type of light source: LED 5730 (Epistar Chip)
- Color rendering index: >80
- Degree of protection: IP65
- Applicable scenarios: villas, gardens, parks, communities and other greening projects



绿化再美，晚上也需要一盏灯光的搭配。

No matter how beautiful the greenery is, a light is needed at night.

市电系列 CITY POWER SERIES



型号：CP202011

产品参数

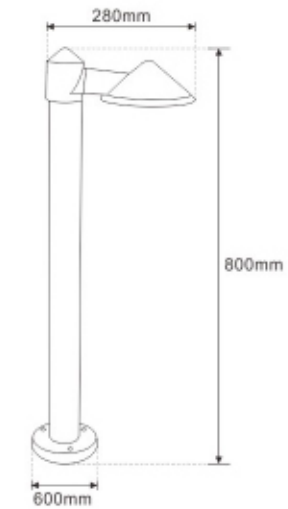
+++

- 产品尺寸：280*H750mm
- 功率：12W
- 色温：3000K
- 电压：AC100-265V
- 电流：300mA
- 灯体材质：压铸铝+型材铝
- 灯体颜色：砂黑/砂灰
- 光源类型：LED 3535（晶元芯片）
- 显色指数：>80
- 防护等级：IP65
- 适用场景：别墅、花园、公园、小区等绿化工程

+++ 产品细节 PRODUCT DETAILS



+++ 灯具结构图 LAMP CONSTRUCTION DRAWING



PRODUCT PARAMETER

+++

- Product size: 280*H750mm
- Power rate: 12W
- Color temperature: 3000K
- Voltage: AC100-265V
- Current: 300mA
- Lamp body material: die-cast aluminum + profile aluminum
- Light body color: sand black/sand gray
- Type of light source: LED 3535 (Epistar Chip)
- Color rendering index: >80
- Degree of protection: IP65
- Applicable scenarios: villas, gardens, parks, communities and other greening projects



绿化再美，晚上也需要一盏灯光的搭配。

No matter how beautiful the greenery is, a light is needed at night.

太阳能系列 SOLAR SERIES

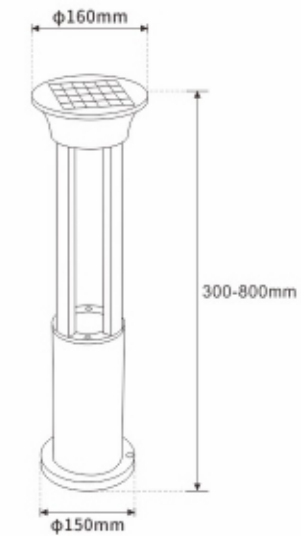


型号：CP20181太阳能款

+++ 产品细节 PRODUCT DETAILS



+++ 灯具结构图 LAMP CONSTRUCTION DRAWING



产品参数

+++

- 产品尺寸：φ160*H300-800mm
- 功率：1.5W
- 色温：3000K
- 电压：3.7V
- 电池容量：4000mA (18650)
- 光伏板：6V/5W
- 灯体材质：压铸铝+型材铝
- 灯体颜色：砂黑/砂灰
- 光源类型：CREE 3535
- 显色指数：>80
- 防护等级：IP65
- 适用场景：别墅、花园、公园、小区等绿化工程

PRODUCT PARAMETER

+++

- Product size: φ160*H300-800mm
- Power rate: 1.5W
- Color temperature: 3000K
- Voltage: 3.7V
- Battery capacity: 4000mA (18650)
- Photovoltaic board: 6V/5W
- Lamp body material: die-cast aluminum + profile aluminum
- Light body color: sand black/sand gray
- Light source type: CREE 3535
- Color rendering index: >80
- Degree of protection: IP65
- Applicable scenarios: villas, gardens, parks, communities and other greening projects



绿化再美，晚上也需要一盏灯光的搭配。
No matter how beautiful the greenery is, a light is needed at night.

太阳能系列 SOLAR SERIES

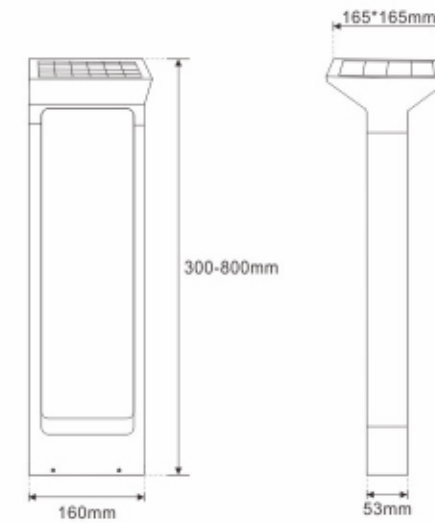


型号：CP20184太阳能款

+++ 产品细节 PRODUCT DETAILS



+++ 灯具结构图 LAMP CONSTRUCTION DRAWING



产品参数

+++

- 产品尺寸：165*165*H300-800mm
- 功率：1.5W
- 色温：3000K
- 电压：3.7V
- 电池容量：4000mA (18650)
- 光伏板：6V/5W
- 灯体材质：压铸铝+型材铝
- 灯体颜色：砂黑/砂灰
- 光源类型：CREE 3535
- 显色指数：>80
- 防护等级：IP65
- 适用场景：别墅、花园、公园、小区等绿化工程

PRODUCT PARAMETER

+++

- Product size: 165*165*H300-800mm
- Power rate: 1.5W
- Color temperature: 3000K
- Voltage: 3.7V
- Battery capacity: 4000mA (18650)
- Photovoltaic board: 6V/5W
- Lamp body material: die-cast aluminum + profile aluminum
- Light body color: sand black/sand gray
- Light source type: CREE 3535
- Color rendering index: >80
- Degree of protection: IP65
- Applicable scenarios: villas, gardens, parks, communities and other greening projects



绿化再美，晚上也需要一盏灯光的搭配。

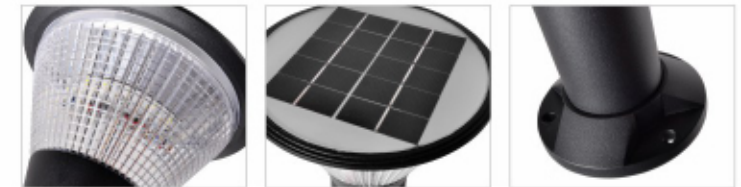
No matter how beautiful the greenery is, a light is needed at night.

照树灯系列 ACCORDING TO THE TREE LAMP SERIES

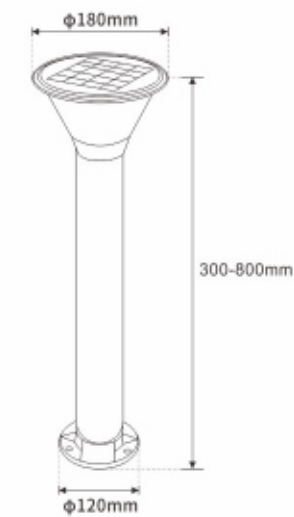


型号：CP20187太阳能款

+++ 产品细节 PRODUCT DETAILS



+++ 灯具结构图 LAMP CONSTRUCTION DRAWING



产品参数

+++

- 产品尺寸：φ180*H300-800mm
- 功率：1.5W
- 色温：3000K/6000K/混光
- 电压：3.7V
- 电池容量：4000mA (18650)
- 光伏板：6V/5W
- 灯体材质：压铸铝+型材铝
- 灯体颜色：砂黑/砂灰
- 光源类型：LED 5730 (晶元芯片)
- 显色指数：>80
- 防护等级：IP65
- 适用场景：别墅、花园、公园、小区等绿化工程

PRODUCT PARAMETER

+++

- Product size: φ180*H300-800mm
- Power rate: 1.5W
- Color temperature: 3000K/6000K/mixed light
- Voltage: 3.7V
- Battery capacity: 4000mA (18650)
- Photovoltaic board: 6V/5W
- Lamp body material: die-cast aluminum + profile aluminum
- Light body color: sand black/sand gray
- Light source type: LED 5730 (Epistar Chip)
- Color rendering index: >80
- Degree of protection: IP65
- Applicable scenarios: villas, gardens, parks, communities and other greening projects



绿化再美，晚上也需要一盏灯光的搭配。
No matter how beautiful the greenery is, a light is needed at night.

太阳能系列 SOLAR SERIES

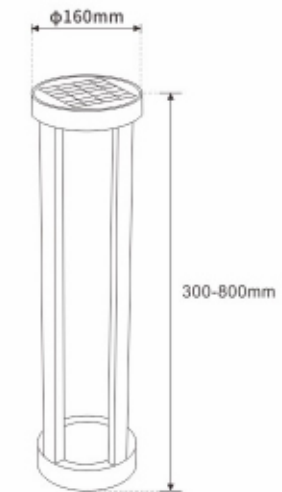


型号：CP202012

+++ 产品细节 PRODUCT DETAILS



+++ 灯具结构图 LAMP CONSTRUCTION DRAWING



产品参数

+++

- 产品尺寸：φ160*H300-800mm
- 功率：1.5W
- 色温：3000K
- 电压：3.7V
- 电池容量：4000mA (18650)
- 光伏板：6V/5W
- 灯体材质：压铸铝+型材铝
- 灯体颜色：砂黑/砂灰
- 光源类型：CREE 3535
- 显色指数：>80
- 防护等级：IP65
- 适用场景：别墅、花园、公园、小区等绿化工程

PRODUCT PARAMETER

+++

- Product size: φ160*H300-800mm
- Power rate: 1.5W
- Color temperature: 3000K
- Voltage: 3.7V
- Battery capacity: 4000mA (18650)
- Photovoltaic board: 6V/5W
- Lamp body material: die-cast aluminum + profile aluminum
- Light body color: sand black/sand gray
- Light source type: CREE 3535
- Color rendering index: >80
- Degree of protection: IP65
- Applicable scenarios: villas, gardens, parks, communities and other greening projects



绿化再美，晚上也需要一盏灯光的搭配。
No matter how beautiful the greenery is, a light is needed at night.

太阳能系列 SOLAR SERIES



型号：CP202013

产品参数

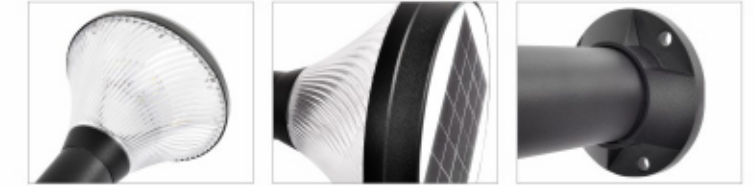
+++

- 产品尺寸：φ230*H300-800mm
- 功率：2W
- 色温：3000K/6000K/混光
- 电压：3.7V
- 电池容量：4000mA (18650)
- 光伏板：6V/6W
- 灯体材质：压铸铝+型材铝
- 灯体颜色：砂黑/砂灰
- 光源类型：LED 5730 (晶元芯片)
- 显色指数：>80
- 防护等级：IP65
- 适用场景：别墅、花园、公园、小区等绿化工程

+++

产品细节

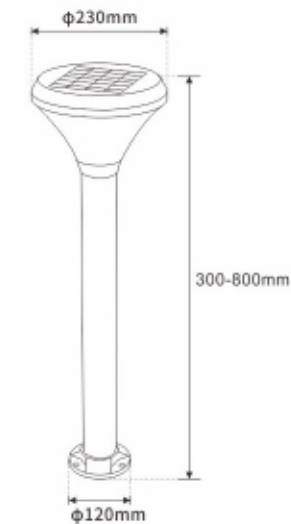
PRODUCT DETAILS



+++

灯具结构图

LAMP CONSTRUCTION DRAWING



PRODUCT PARAMETER

+++

- Product size: φ230*H300-800mm
- Power rate: 2W
- Color temperature: 3000K/6000K/mixed light
- Voltage: 3.7V
- Battery capacity: 4000mA (18650)
- Photovoltaic board: 6V/6W
- Lamp body material: die-cast aluminum + profile aluminum
- Light body color: sand black/sand gray
- Light source type: LED 5730 (Epistar Chip)
- Color rendering index: >80
- Degree of protection: IP65
- Applicable scenarios: villas, gardens, parks, communities and other greening projects



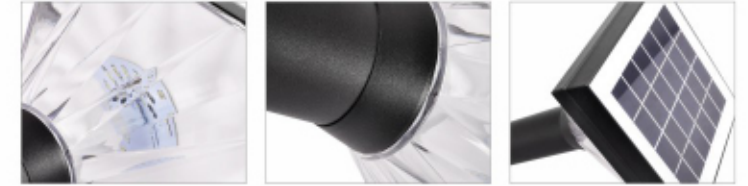
绿化再美，晚上也需要一盏灯光的搭配。
No matter how beautiful the greenery is, a light is needed at night.

太阳能系列 SOLAR SERIES

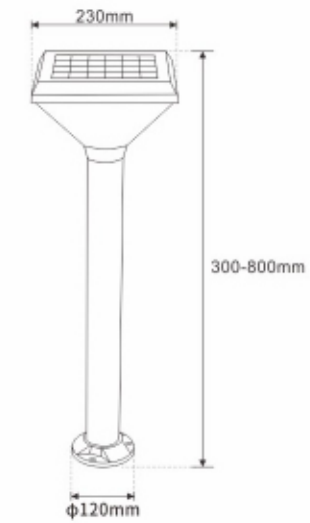


型号：CP202014

+++ 产品细节 PRODUCT DETAILS



+++ 灯具结构图 LAMP CONSTRUCTION DRAWING



产品参数

+++

- 产品尺寸：230*230*H300-800mm
- 功率：2W
- 色温：3000K/6000K/混光
- 电压：3.7V
- 电池容量：4000mA (18650)
- 光伏板：6V/6W
- 灯体材质：压铸铝+型材铝
- 灯体颜色：砂黑/砂灰
- 光源类型：LED 5730 (晶元芯片)
- 显色指数：>80
- 防护等级：IP65
- 适用场景：别墅、花园、公园、小区等绿化工程

PRODUCT PARAMETER

+++

- Product size: 230*230*H300-800mm
- Power rate: 2W
- Color temperature: 3000K/6000K/mixed light
- Voltage: 3.7V
- Battery capacity: 4000mA (18650)
- Photovoltaic board: 6V/6W
- Lamp body material: die-cast aluminum + profile aluminum
- Light body color: sand black/sand gray
- Light source type: LED 5730 (Epistar Chip)
- Color rendering index: >80
- Degree of protection: IP65
- Applicable scenarios: villas, gardens, parks, communities and other greening projects



绿化再美，晚上也需要一盏灯光的搭配。
No matter how beautiful the greenery is, a light is needed at night.

太阳能系列 SOLAR SERIES

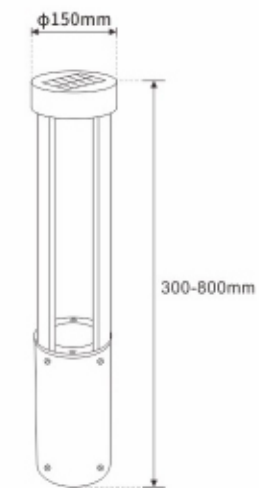


型号：CP20204太阳能款

+++ 产品细节 PRODUCT DETAILS



+++ 灯具结构图 LAMP CONSTRUCTION DRAWING



产品参数

+++

- 产品尺寸：φ150*H300-800mm
- 功率：1.5W
- 色温：3000K
- 电压：3.7V
- 电池容量：4000mA (18650)
- 光伏板：6V/5W
- 灯体材质：压铸铝+型材铝
- 灯体颜色：砂黑/砂灰
- 光源类型：CREE 3535
- 显色指数：>80
- 防护等级：IP65
- 适用场景：别墅、花园、公园、小区等绿化工程

PRODUCT PARAMETER

+++

- Product size: φ150*H300-800mm
- Power rate: 1.5W
- Color temperature: 3000K
- Voltage: 3.7V
- Battery capacity: 4000mA (18650)
- Photovoltaic board: 6V/5W
- Lamp body material: die-cast aluminum + profile aluminum
- Light body color: sand black/sand gray
- Light source type: CREE 3535
- Color rendering index: >80
- Degree of protection: IP65
- Applicable scenarios: villas, gardens, parks, communities and other greening projects



绿化再美，晚上也需要一盏灯光的搭配。
No matter how beautiful the greenery is, a light is needed at night.

太阳能系列 SOLAR SERIES



型号：CP20205太阳能款

+++ 产品细节 PRODUCT DETAILS



+++ 灯具结构图 LAMP CONSTRUCTION DRAWING



产品参数

+++

- 产品尺寸：150*150*H300-800mm
- 功率：1.5W
- 色温：3000K
- 电压：3.7V
- 电池容量：4000mA (18650)
- 光伏板：6V/5W
- 灯体材质：压铸铝+型材铝
- 灯体颜色：砂黑/砂灰
- 光源类型：CREE 3535
- 显色指数：>80
- 防护等级：IP65
- 适用场景：别墅、花园、公园、小区等绿化工程

PRODUCT PARAMETER

+++

- Product size: 150*150*H300-800mm
- Power rate: 1.5W
- Color temperature: 3000K
- Voltage: 3.7V
- Battery capacity: 4000mA (18650)
- Photovoltaic board: 6V/5W
- Lamp body material: die-cast aluminum + profile aluminum
- Light body color: sand black/sand gray
- Light source type: CREE 3535
- Color rendering index: >80
- Degree of protection: IP65
- Applicable scenarios: villas, gardens, parks, communities and other greening projects



绿化再美，晚上也需要一盏灯光的搭配。

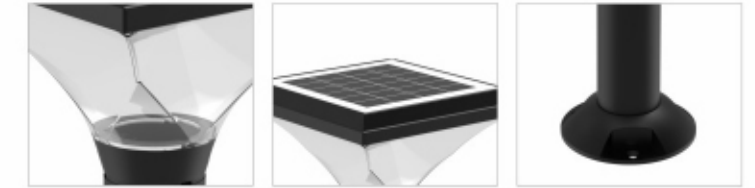
No matter how beautiful the greenery is, a light is needed at night.

太阳能系列 SOLAR SERIES

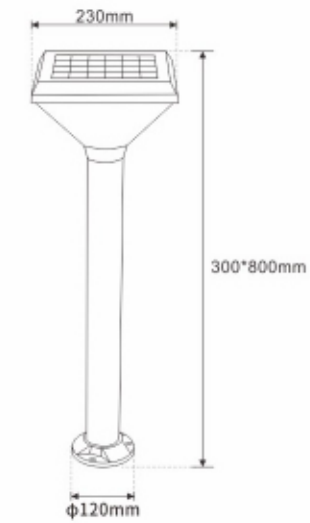


型号：CP20211

+++ 产品细节 PRODUCT DETAILS



+++ 灯具结构图 LAMP CONSTRUCTION DRAWING



产品参数

+++

- 产品尺寸：230*230*H300-800mm
- 功率：2W
- 色温：3000K/6000K/混光
- 电压：3.7V
- 电池容量：4000mA (18650)
- 光伏板：6V 6W
- 灯体材质：压铸铝+型材铝
- 灯体颜色：砂黑/砂灰
- 光源类型：LED 5730 (晶元芯片)
- 显色指数：>80
- 防护等级：IP65
- 适用场景：别墅、花园、公园、小区等绿化工程

PRODUCT PARAMETER

+++

- Product size: 230*230*H300-800mm
- Power rate: 2W
- Color temperature: 3000K/6000K/mixed light
- Voltage: 3.7V
- Battery capacity: 4000mA (18650)
- Photovoltaic board: 6V 6W
- Lamp body material: die-cast aluminum + profile aluminum
- Light body color: sand black/sand gray
- Light source type: LED 5730 (Epistar Chip)
- Color rendering index: >80
- Degree of protection: IP65
- Applicable scenarios: villas, gardens, parks, communities and other greening projects



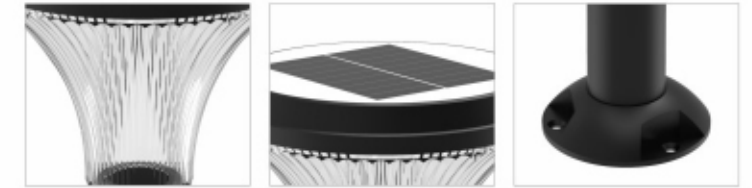
绿化再美，晚上也需要一盏灯光的搭配。
No matter how beautiful the greenery is, a light is needed at night.

太阳能系列 SOLAR SERIES

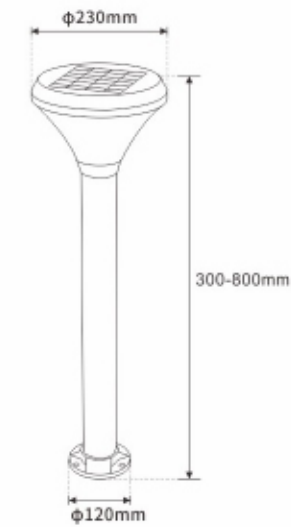


型号：CP20212

+++ 产品细节 PRODUCT DETAILS



+++ 灯具结构图 LAMP CONSTRUCTION DRAWING



产品参数

+++

- 产品尺寸：φ230*H300-800mm
- 功率：2W
- 色温：3000K/6000K/混光
- 电压：3.7V
- 电池容量：4000mA (18650)
- 光伏板：6V/6W
- 灯体材质：压铸铝+型材铝
- 灯体颜色：砂黑/砂灰
- 光源类型：LED 5730 (晶元芯片)
- 显色指数：>80
- 防护等级：IP65
- 适用场景：别墅、花园、公园、小区等绿化工程

PRODUCT PARAMETER

+++

- Product size: φ230*H300-800mm
- Power rate: 2W
- Color temperature: 3000K/6000K/mixed light
- Voltage: 3.7V
- Battery capacity: 4000mA (18650)
- Photovoltaic board: 6V/6W
- Lamp body material: die-cast aluminum + profile aluminum
- Light body color: sand black/sand gray
- Light source type: LED 5730 (Epistar Chip)
- Color rendering index: >80
- Degree of protection: IP65
- Applicable scenarios: villas, gardens, parks, communities and other greening projects



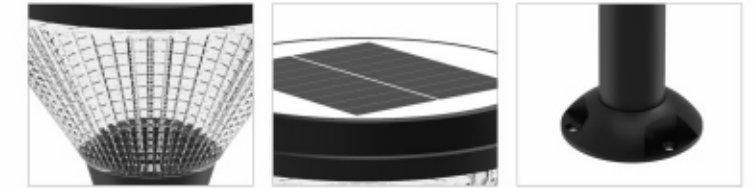
.....
绿化再美，晚上也需要一盏灯光的搭配。
No matter how beautiful the greenery is, a light is needed at night.

太阳能系列 SOLAR SERIES

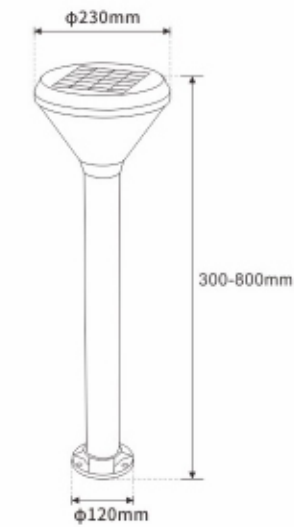


型号：CP20213

+++ 产品细节 PRODUCT DETAILS



+++ 灯具结构图 LAMP CONSTRUCTION DRAWING



产品参数

+++

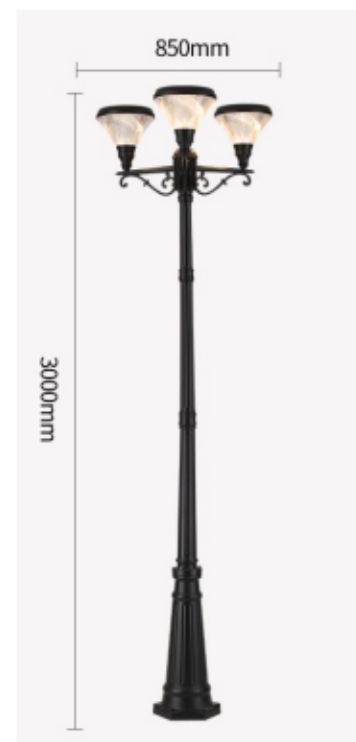
- 产品尺寸：φ230*H300-800mm
- 功率：2W
- 色温：3000K/6000K/混光
- 电压：3.7V
- 电池容量：4000mA (18650)
- 光伏板：6V/6W
- 灯体材质：压铸铝+型材铝
- 灯体颜色：砂黑/砂灰
- 光源类型：LED 5730 (晶元芯片)
- 显色指数：>80
- 防护等级：IP65
- 适用场景：别墅、花园、公园、小区等绿化工程

PRODUCT PARAMETER

+++

- Product size: φ230*H300-800mm
- Power rate: 2W
- Color temperature: 3000K/6000K/mixed light
- Voltage: 3.7V
- Battery capacity: 4000mA (18650)
- Photovoltaic board: 6V/6W
- Lamp body material: die-cast aluminum + profile aluminum
- Light body color: sand black/sand gray
- Light source type: LED 5730 (Epistar Chip)
- Color rendering index: >80
- Degree of protection: IP65
- Applicable scenarios: villas, gardens, parks, communities and other greening projects

庭院灯系列
GARDEN LAMP SERIES



产品参数

+++

- 产品尺寸：φ850*H3000mm
- 功率：2W (单头功率)
- 色温：3000K/6000K/混光
- 电压：3.7V
- 电池容量：4000mA (18650)
- 光伏板：6V/6W
- 灯体材质：压铸铝
- 灯体颜色：砂黑/砂灰
- 光源类型：LED 5730 (晶元芯片)
- 显色指数：>80
- 防护等级：IP65
- 适用场景：别墅、花园、公园、小区等绿化工程

庭院灯系列
GARDEN LAMP SERIES



产品参数

+++

- 产品尺寸：φ850*H3000mm
- 功率：2W (单头功率)
- 色温：3000K/6000K/混光
- 电压：3.7V
- 电池容量：4000mA (18650)
- 光伏板：6V/6W
- 灯体材质：压铸铝
- 灯体颜色：砂黑/砂灰
- 光源类型：LED 5730 (晶元芯片)
- 显色指数：>80
- 防护等级：IP65
- 适用场景：别墅、花园、公园、小区等绿化工程



庭院灯系列
GARDEN LAMP SERIES



产品参数

+++

- 产品尺寸：φ150*H2000-3500mm
- 功率：20-40W
- 色温：3000K
- 电压：AC100-265V
- 电流：300mA
- 灯体材质：压铸铝+型材铝
- 灯体颜色：砂黑/砂灰
- 光源类型：COB/模组
- 显色指数：>80
- 防护等级：IP65
- 适用场景：别墅、花园、公园、小区等绿化工程

庭院灯系列
GARDEN LAMP SERIES



产品参数

+++

- 产品尺寸：150*150*H2000-3500mm
- 功率：20-40W
- 色温：3000K
- 电压：AC100-265V
- 电流：300mA
- 灯体材质：压铸铝+型材铝
- 灯体颜色：砂黑/砂灰
- 光源类型：COB/模组
- 显色指数：>80
- 防护等级：IP65
- 适用场景：别墅、花园、公园、小区等绿化工程

植物定点照明系列
Plant fixed-point lighting series



+++
产品细节
PRODUCT DETAILS



产品参数

- +++
- 产品尺寸：φ66*H300mm
 - 功率：3-7W
 - 色温：3000K
 - 电压：AC100-265V
 - 电流：300mA
 - 灯体材质：铝材
 - 灯体颜色：砂黑/砂灰
 - 光源类型：大功率（晶元芯片）
 - 显色指数：>80
 - 防护等级：IP65
 - 适用场景：别墅、花园、公园、小区等绿化工程

植物定点照明系列
Plant fixed-point lighting series



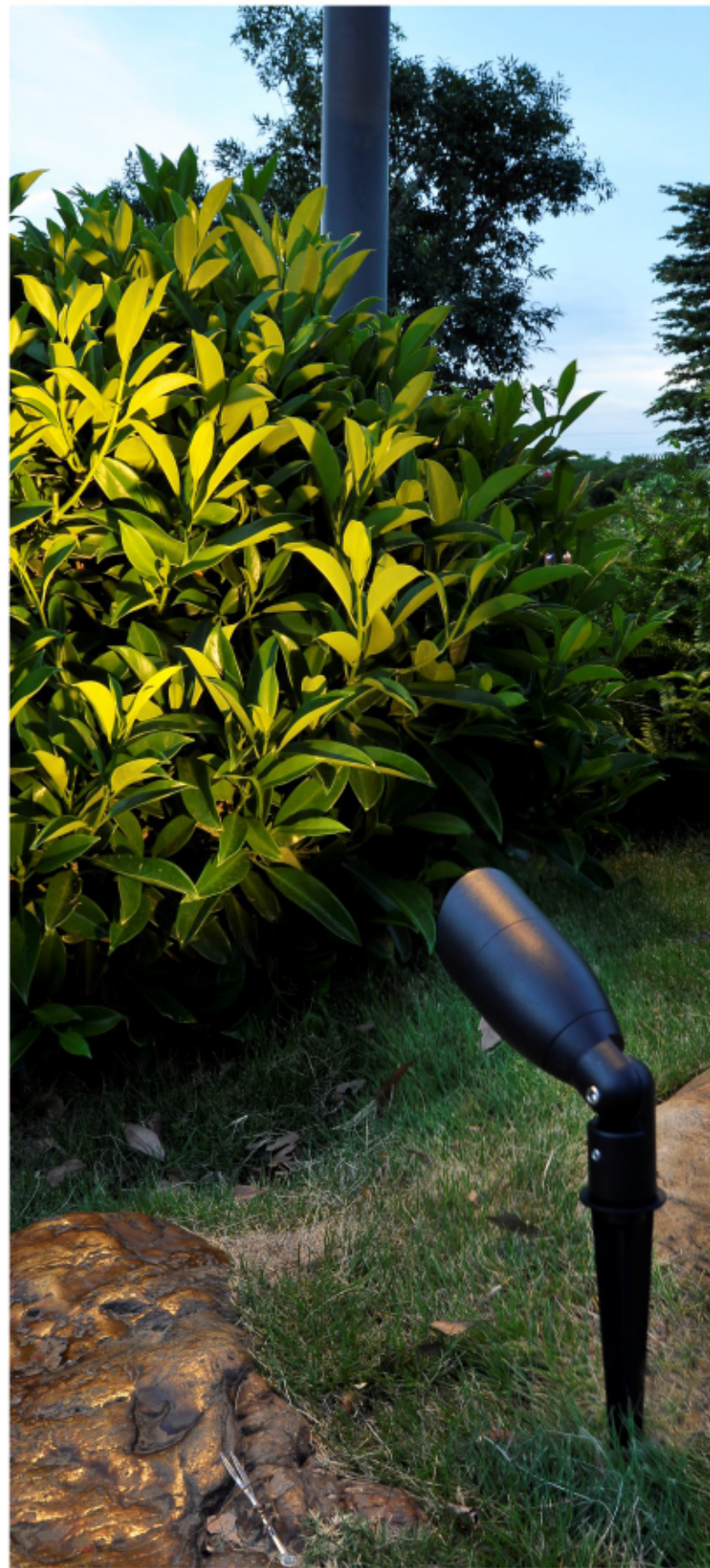
+++
产品细节
PRODUCT DETAILS



产品参数

- +++
- 产品尺寸：φ50*H300mm
 - 功率：3-7W
 - 色温：3000K
 - 电压：AC100-265V
 - 电流：300mA
 - 灯体材质：铝材
 - 灯体颜色：砂黑/砂灰
 - 光源类型：COB（晶元芯片）
 - 显色指数：>80
 - 防护等级：IP65
 - 适用场景：别墅、花园、公园、小区等绿化工程

植物定点照明系列
Plant fixed-point lighting series



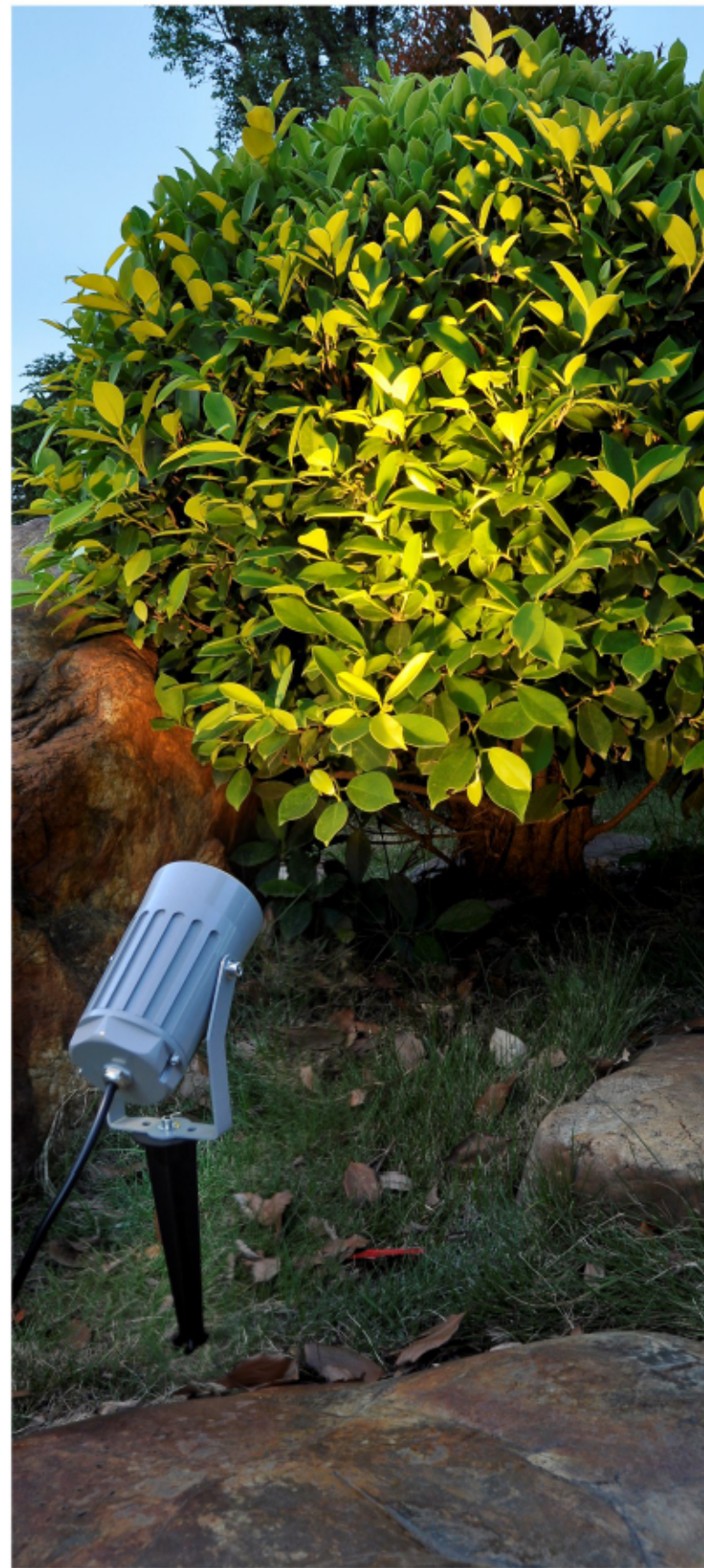
+++
产品细节
PRODUCT DETAILS



产品参数

- +++
- 产品尺寸：φ65*H380mm
 - 功率：3-7W
 - 色温：3000K
 - 电压：AC100-265V
 - 电流：300mA
 - 灯体材质：铝材
 - 灯体颜色：砂黑/砂灰
 - 光源类型：COB（晶元芯片）
 - 显色指数：>80
 - 防护等级：IP65
 - 适用场景：别墅、花园、公园、小区等绿化工程

植物定点照明系列
Plant fixed-point lighting series



+++
产品细节
PRODUCT DETAILS



产品参数

- +++
- 产品尺寸：φ80*H380mm
 - 功率：5-12W
 - 色温：3000K
 - 电压：AC100-265V
 - 电流：300mA
 - 灯体材质：铝材
 - 灯体颜色：砂黑/砂灰
 - 光源类型：COB（晶元芯片）
 - 显色指数：>80
 - 防护等级：IP65
 - 适用场景：别墅、花园、公园、小区等绿化工程

植物定点照明系列
Plant fixed-point lighting series



+++
产品细节
PRODUCT DETAILS



产品参数

+++

- 产品尺寸：φ95*85*140*300mm
- 材 质：ABS工程塑料+PC
- 功 率：3W
- 太阳能板：5.5V/2W
- 色 温：暖光/七彩
- 电池容量：3.7V/2200mA



IP68 防水接头
Plant fixed-point lighting series



- 型 号：CN11-2/3/4
- 适用电缆：5-10mm
- 芯 数：2/3/4芯
- 电 流：≤20A
- 电 压：AC250V
- 防水等级：IP68
- 工作温度：-40℃~+105℃
- 接线方式：螺丝锁紧

- Model: CN11-2/3/4
- Applicable cable: 5-10mm
- Number of cores: 2/3/4 cores
- Current: ≤20A
- Voltage: AC250V
- Waterproof rating: IP68
- Working temperature: -40℃~+105℃
- Wiring method: screw lock



CONTACT US

Email:info@annolighting.com

Website:www.annolighting.com

Whatsapp:[+86-136-0311-8257](https://wa.me/8613603118257)

Instagram:[@AnnoLighting](https://www.instagram.com/AnnoLighting)